



**36" RANGE HOOD IN STAINLESS STEEL WITH GLASS  
CAMPANA DE ACERO INOXIDABLE Y VIDRIO DE 36"**

---

**MODEL: PCH9007CBD  
MODELO: PCH9007CBD**



# Table of Contents

Table of Contents .....	2
Safety Information.....	2-3
Pre-installation .....	4-5
Installation .....	6-8
Operation .....	9
Maintenance.....	10-11
Care and Cleaning.....	12
Troubleshooting.....	13
Wiring Diagram.....	14

## Safety Information

### GENERAL SAFETY INFORMATION

1. Use this unit only in the manner intended. If you have any questions, contact the distributor or importer.
2. Please carefully read this guide before installing or using this product. Save this guide for the local electrical inspector's use.
3. This range hood has a thermally protected system for the motor, which will shut down automatically if the motor is overheated. If the overheat protection trips, disconnect the power and wait for 15 minutes for the motor to cool down.

### INSTALLATION SAFETY INFORMATION

1. The installation instructions in this manual are intended for qualified installers, service technicians, and others with a technical or electrical background. Never attempt to install this appliance yourself.
2. Your installation must comply with all applicable local codes and standards.
3. Grounding instructions:  
This appliance must be grounded. In the event of an electrical short circuit, grounding reduces the risk of electric shock by providing an escape wire for the electric current. This appliance is equipped with a cord having a grounding wire with a grounding plug. The plug must be plugged into an outlet that is properly installed and grounded. Consult a qualified electrician if the grounding instructions are not completely understood, or if doubt exists as to whether the appliance is properly grounded. Do not use an extension cord. If the power supply cord is too short, have a qualified electrician install an outlet near the appliance.
4. Sufficient air is needed for proper combustion and exhausting of gases through the duct cover to prevent back drafting. Follow

the guidelines and safety standards, such as those published by the National Fire Protection Association (NFPA), the American Society for Heating, Refrigeration, and Air Conditioning Engineers (ASHRAE), and the local code authorities.

5. Old duct work should be cleaned or replaced if necessary. Check and properly tape all joints on duct work to ensure proper connections.



**DANGER:** Turn off the power circuit breaker or the power switch on the junction box before installing or servicing this unit. Touching circuitry inside the range hood while it is energized will result in death or serious injury.



**DANGER:** All electrical wiring must be properly installed, insulated, and grounded. Improper insulation and grounding will result in deadly electrical shock.



**DANGER:** If installing this unit over a gas range, turn off the gas at the source before installing or servicing this unit.



**WARNING:** Attempting to install or service this unit when you do not have the necessary technical or electrical background could result in personal injury.



**WARNING:** The unit has sharp edges. Always wear safety gloves during installation, cleaning, or servicing.



**WARNING:** Improper grounding can result in an electric shock.



**WARNING:** Always leave safety grills and filters in place. Without these components, operating fans could catch on to hair, fingers, or loose clothing.



**CAUTION:** For the stainless hoods, please carefully remove the plastic protective film from the surface of the hood prior to installation.

# Safety Information (continued)

---

## GENERAL SAFETY INFORMATION

1. Ducted fans should always be vented to the outdoors. Never vent exhaust air into spaces within walls or ceilings, attics, crawl spaces, or garages.
2. When cutting or drilling into the wall or ceiling, do not damage electrical wiring or other hidden utilities.

## COOKING SAFETY INFORMATION

1. Use this unit only in the manner intended by the manufacturer. If you have questions, contact the manufacturer at the address or telephone number listed in the warranty.
2. Before servicing or cleaning unit, switch power off at service panel and lock the service disconnecting means to prevent power from being switched on accidentally. When the service disconnecting means cannot be locked, securely fasten a prominent warning device, such as a tag, to the service panel.
3. Installation work and electrical wiring must be done by a qualified person(s) in accordance with all applicable codes and standards, including fire-rated construction.
4. Sufficient air is needed for proper combustion and exhausting of gases through the flue (chimney) of fuel burning equipment to prevent backdrafting. Follow the heating equipment manufacturer's guidelines and safety standards such as those published by the National Fire Protection Association (NFPA) and the American Society for Heating, Refrigeration and Air Conditioning Engineers (ASHRAE) and the local code authorities.
6. When cutting or drilling into wall or ceiling, do not damage electrical wiring and other hidden utilities.
7. Ducted fans must always be vented to the outdoors. This unit must be grounded.

## CLEANING SAFETY INFORMATION

1. The fan and filters must be cleaned periodically and kept free from accumulation of cooking residue. Old and worn filters must be replaced immediately.
2. Never disassemble parts to clean. Parts should be disassembled by qualified persons only.



**WARNING:** To reduce the risk of fire, use only metal duct work. Never use plastic duct work.



**WARNING:** Stay clear of the rotating fan when the motor is running.



**WARNING:** Keep this appliance clean and free of grease and residue build-up at all times to prevent fires.



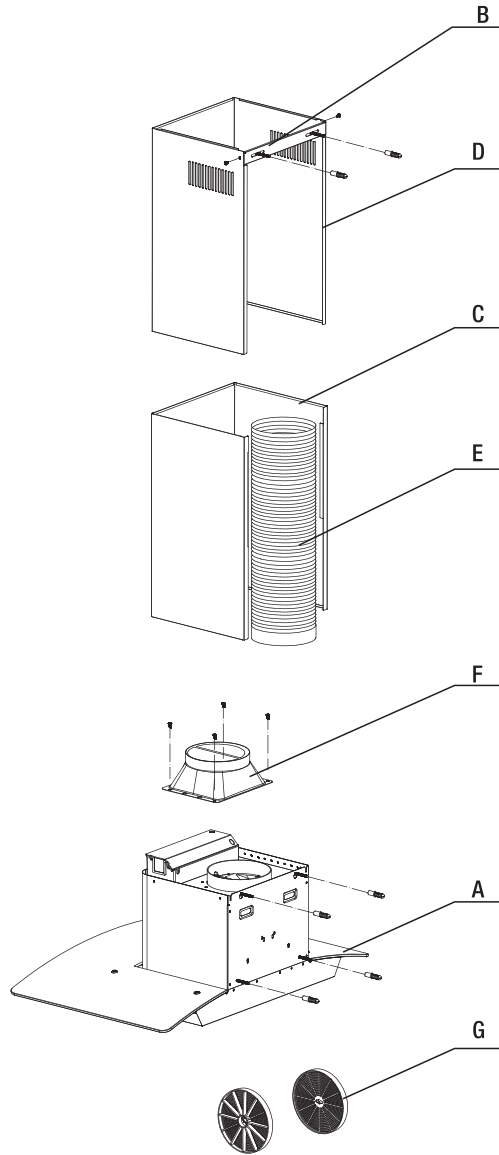
**CAUTION:** For general ventilation use only. Do not use the range hood fans to exhaust hazardous or explosive vapors.



**CAUTION:** Never dispose of cigarette ashes, ignitable substances, or any foreign objects in fans.

# Pre-installation

## PACKAGE CONTENTS



Part	Description	Quantity
A	Range hood (including filters and lamps)	1
B	Chimney bracket	1
C	Bottom chimney	1
D	Top chimney	1
E	Diameter 6 inch flexible duct(Length max 59 inch)	1
F	Outlet adapter	1
G	Charcoal filters	2

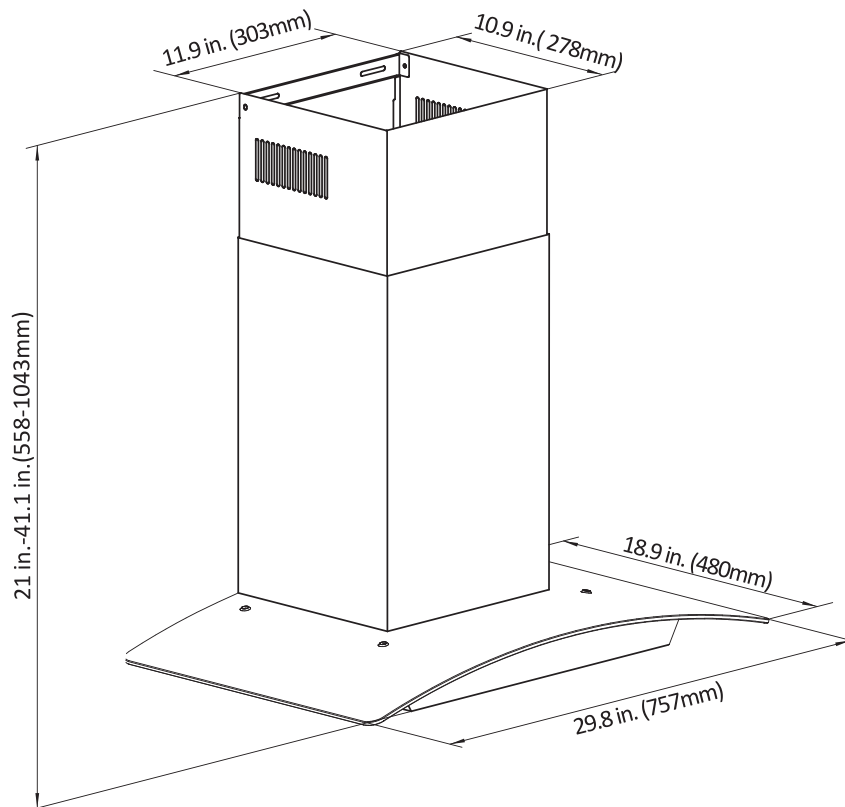
# Pre-installation

## TOOLS REQUIRED

Measuring tape	Level	Utility knife
Pencil	Tape	Adjustable wrench
Phillips screwdriver	Flathead screwdriver	Needle nose pliers
Hammer	Electric drill	Safety goggles
Safety gloves		

## SPECIFICATIONS

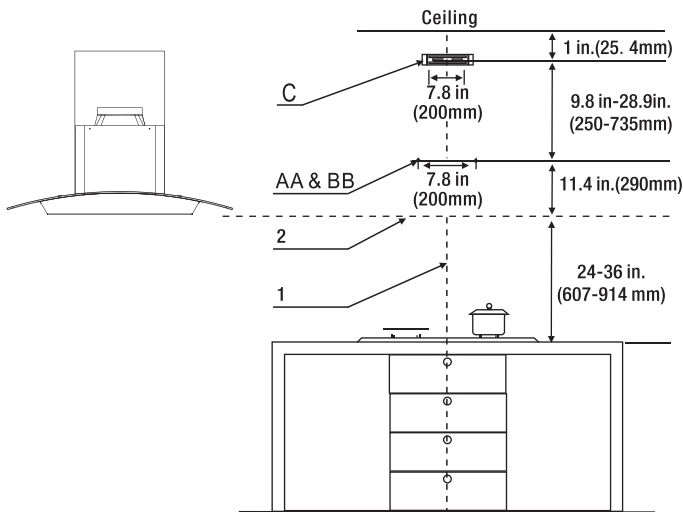
Dimensions	Volts	Hertz	Fan CFM	Speeds	Light Wattage	Stainless Steel Grade
29.8 in.(757 mm) W	120	60	400	High	3	430
18.9 in.(480 mm) D				Medium		
21 in.-41.1in.(558-1043mm) H				Low		



# Installation

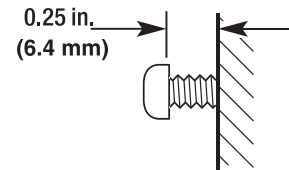
## 1 DRILLING THE PILOT HOLES

1. Draw a vertical center line (1) on the supporting wall up to the ceiling, or as high as practical, at the center of the area where the hood will be installed.
2. Draw a horizontal line (2) above the range at the preferred distance between 24 to 36 inches (607-762 mm). Consult the user manual of your range if so required.
3. Position chimney mounting bracket (C) on the wall as shown about 1 inch (25.4 mm) from the ceiling.

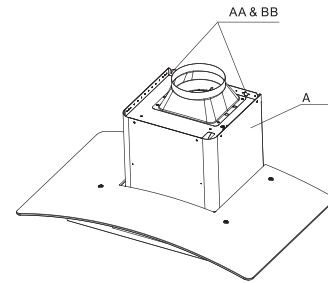


## 2 MOUNTING THE HOOD

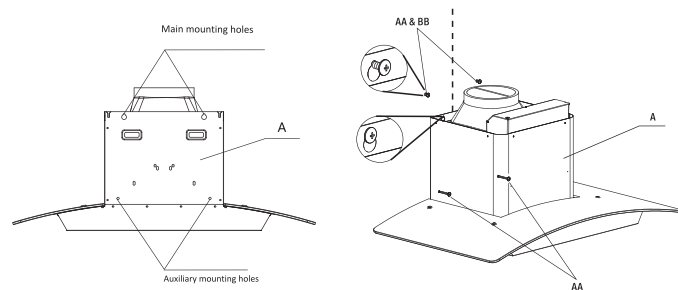
1. Mount two main mounting screws (AA) with drywall anchors (BB) into the wall along the line that is 10 inch (254mm) above the horizontal line (2). Leave a 0.25 inch (6.4 mm) gap between the wall and the back of the screw head to slide the range hood into place. Ensure the screws and anchors (AA and BB) are parallel with the horizontal line (2).



2. Hook the hood body (A) onto the screws (AA & BB) mounted onto the wall and securely tighten the screws (AA) to secure the hood body (A) on the wall.



3. Install two additional hood body mounting screws (AA) into the auxiliary mounting holes to secure the hood body (A) in place.



# Installation (continued)

## 3 CONNECT VENT SYSTEM

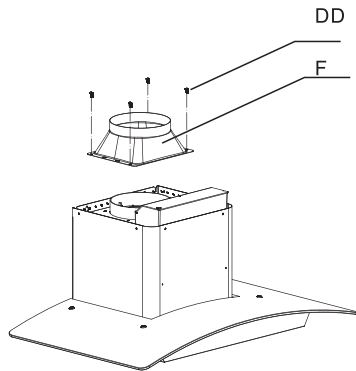
### FOR VENTED INSTALLATIONS ONLY



CAUTION: To reduce the risk of fire, use metal ductwork only. (6 inch flexible duct is included.)

#### 1. OUTLET ADAPTER ASSEMBLY

- Fix the outlet adapter on the top of the hood by 4 screws (CC)
- Ensure the two flappers of the damper assembly operating properly.

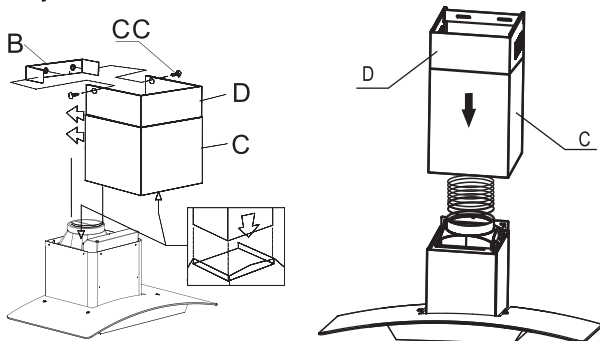


- Attach an adequate length of 6 inch flexible duct (included) on the top of the outlet adapter. The max length of flexible duct is 59 inch.
- Secure the duct. Check and properly tape all joints on the duct work to ensure proper connections.

#### 2. TELESCOPIC CHIMNEY ASSEMBLY

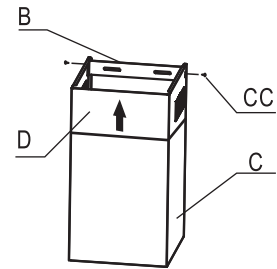
##### Chimney Bottom:

- Carefully slide the bottom chimney (C) down outside the top chimney (D), and then carefully place the bottom chimney (C) into the recessed area of the hood body top.
- Optionally fix the bottom chimney (C) with the three chimney bottom screws (DD) supplied from inside of hood body.

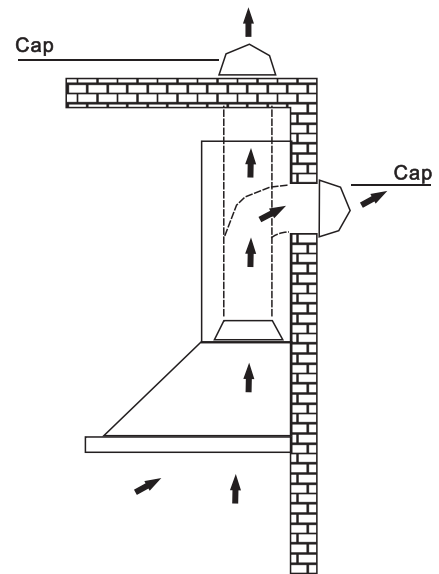


##### Chimney Top:

- Raise the top chimney (D) up inside the bottom chimney (C). Secure the top chimney (D) to the chimney mounting bracket (B) that is securely attached on the wall with the two chimney bracket screws (CC) supplied from two sides.



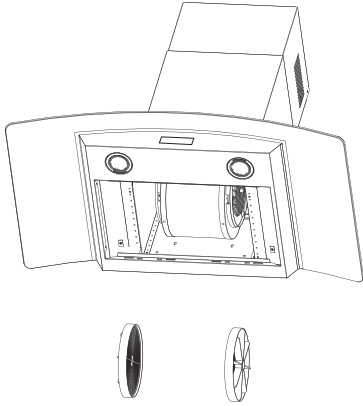
1. Decide where the duct (included) will run between the hood and the outside.
2. A straight, short duct run will allow the hood to perform most efficiently.
3. Long duct runs, elbows, and transitions will reduce the performance of the hood. Use as few of them as possible. Larger ducting may be required for best performance with longer duct runs.
4. Attach an adequate length of 6 inch flexible duct to the air outlet adapter.
5. The air must not be discharged into a flue that is used for exhausting fumes from appliances burning gas or other fuels. Regulations concerning the discharge of air have to be fulfilled.
6. Install a roof/wall cap. Connect round metal ductwork to cap and work back towards hood location. Use duct tape to seal the joints between ductwork sections. (The roof/wall cap should be sourced locally).



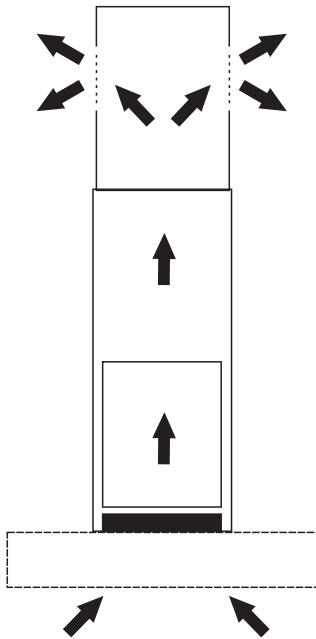
# Installation (continued)

## FOR NON-VENTED INSTALLATION ONLY

1. Install the charcoal filters (included).



2. Please note that the air will flow out from the two grids on the two sides of the chimney top.



## ELECTRICAL CONNECTION



**WARNING:** If the supply cord is damaged, it must be replaced by the service agent or similarly qualified persons in order to avoid a hazard.



**WARNING:** Do not use the plug and an extension cord other than the ones initially supplied with the hood.



**WARNING:** The ground connection of this hood is compulsory. Do not remove ground prong of the plug.



# Operation

## 1 CONTROLS OPERATION

1. This range hood is operated using the soft touch controls located on the front panel.
2. The light switch (1) turns the lamps on and off.
3. The On/Off Switch (4) turns the fan on to three speed settings.

- 1- LAMP
- 2- SPEED +
- 3- SPEED -
- 4- ON/OFF



### How to set the fan speed:

Press the On/Off button (4) to activate the fan, then press the speed + button (2) and speed – button (3) to set the fan speed. Press the On/Off button (4) to turn off the fan and automatically memorize the previous speed setting to start the next time of operation. This range hood can be switched to three speed settings.



### How to set the clock:

Press the On/Off button (4) for 3 seconds. When the time indicator in the display is flashing, press the speed + button (2) and speed - button (3) to adjust the hour setting. Press the On/Off button (4) again to set the minute using the + and - buttons (2 and 3). The clock will automatically retain the time setting after 5 seconds of inactivity.

### How to set the timer delay:

When the fan is working, press On/Off button (4) for 3 seconds. The timer delay indicator in the display begins to flash. Press the + and - button (2 and 3) to set the delay time range from 1 to 15 minutes. The timer will automatically retain the time setting after 3 seconds of inactivity.

### Clean Indicator function:

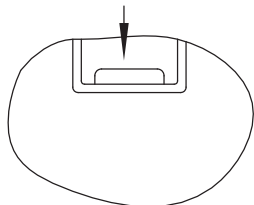
After an extended period of use, the symbol  in the display illuminates, to indicate that the grease filter needs to be cleaned. Press the lamp button (1) for 3 seconds to remove this symbol once the filter has been cleaned. The symbol , will remain illuminated if you don't press the lamp button (1) for 3 seconds.

# Maintenance

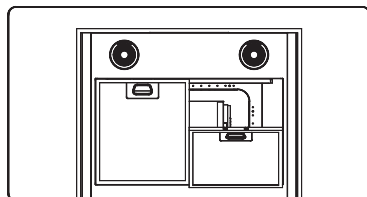
## ALUMINIUM GREASE FILTER

- The grease filters should be cleaned frequently (every two months of operation, or more frequently for heavy use). Use a warm detergent solution.
- Grease filters are dishwasher safe.

( 1 ) PUSH DOWN



( 2 ) LIFT OUT

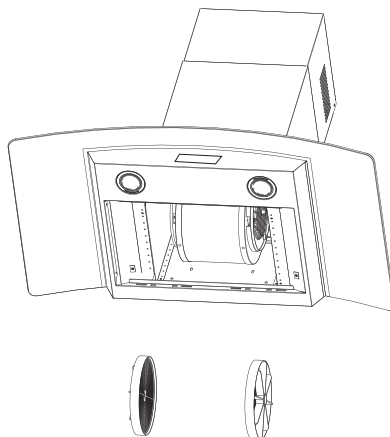


1. Remove the grease filters one by one by pushing down each latch. This will disengage the filter from the hood. Tilt the filter downward and remove.
2. Wash the filters, taking care not to bend them. Allow them to be dry before replacing.
3. When replacing the filters, make sure that the latch is visible from the outside.
4. To install the grease filters, align rear filter tabs with slots in the hood. Push down the latch, push filter into position and release. Make sure the filter is securely engaged after assembly.

## NON-DUCTED RECIRCULATION CHARCOAL FILTERS ( INCLUDED )

- This charcoal filters ( included ) is not washable, cannot be regenerated, and should be replaced approximately every 3 months of operation, or more frequently in the case of heavy usage.

1. Remove the baffle filters.
2. The charcoal filters ( included ) must be applied to the suction unit inside the hood, centering them inside of it and turning them 90° until they snap into place.
3. Put the baffle filters back in place.



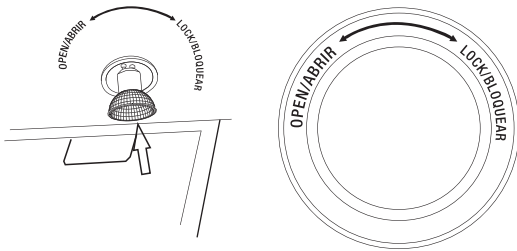
# Maintenance (continued)

## LIGHTING



**WARNING:** Always switch off the electrical supply before carrying out any operation on the appliance.

- This range hood requires two LED lamps(120V, GU10, 3W)
- To change LED lamps:
  1. Switch off power and wait for 5 minutes until the bulbs cool down.
  2. Remove the bulb by pulling sideways.



**CAUTION:** The surface of the lamps may be hot. Take care when doing the replacement.

“Please note that changes or modifications of this product is not expressly approved by the party responsible for compliance could void the user's authority to operate the equipment.”

**NOTE:** This equipment has been tested and found to comply with the limits for a Class B digital device, pursuant to Part 15 of the FCC Rules. These limits are designed to provide reasonable protection against harmful interference in a residential installation. This equipment generates, uses and can radiate radio frequency energy and, if not installed and used in accordance with the instructions, may cause harmful interference to radio communications. However, there is no guarantee that interference will not occur in a particular installation. If this equipment does cause harmful interference to radio or television reception, which can be determined by turning the equipment off and on, the user is encouraged to try to correct the interference by one or more of the following measures:

- Reorient or relocate the receiving antenna.
- Increase the separation between the equipment and receiver.
- Connect the equipment into an outlet on a circuit different from that to which the receiver is connected.
- Consult the dealer or an experienced radio/TV technician for help.

# Care and Cleaning

---



**WARNING:** Failure to maintain basic standards of care and cleaning of the range hood will increase the risk of fire.

The range hood should be cleaned regularly internally and externally to preserve its appearance and performance.

## Do

- Clean the range hood periodically with hot, soapy water and a clean cotton cloth.
- Always clean in the direction of original polish lines.
- Always rinse well with clean water two or three times after cleaning. Wipe completely dry with a soft, non-abrasive cloth.
- After cleaning, you may polish with a non-abrasive stainless steel polish or cleaner. Always rub lightly and with the grain.
- Ensure that the venting system is free of debris, if you have one.

## Do Not

- Do not use corrosive or abrasive detergents, or any products containing chloride, fluoride, iodide, or bromide on this product, as they will deteriorate the surface rapidly.
- Do not allow cleaning compounds, salt solutions, disinfectants, or bleaches to remain in contact with the product for extended periods of time.
- Do not allow deposits to remain for long periods of time on the range hood. Rinse with water immediately and wipe dry with a clean cloth.
- Do not leave the range hood dirty for long periods of time or allow dirt to accumulate.
- Do not let plaster dust or any other construction residue enter the hood. During construction or renovation, cover the hood.
- Combustible products used for cleaning, such as acetone, alcohol, ether, or benzyl, are highly explosive and should never be used close to a range or stove .

# Troubleshooting

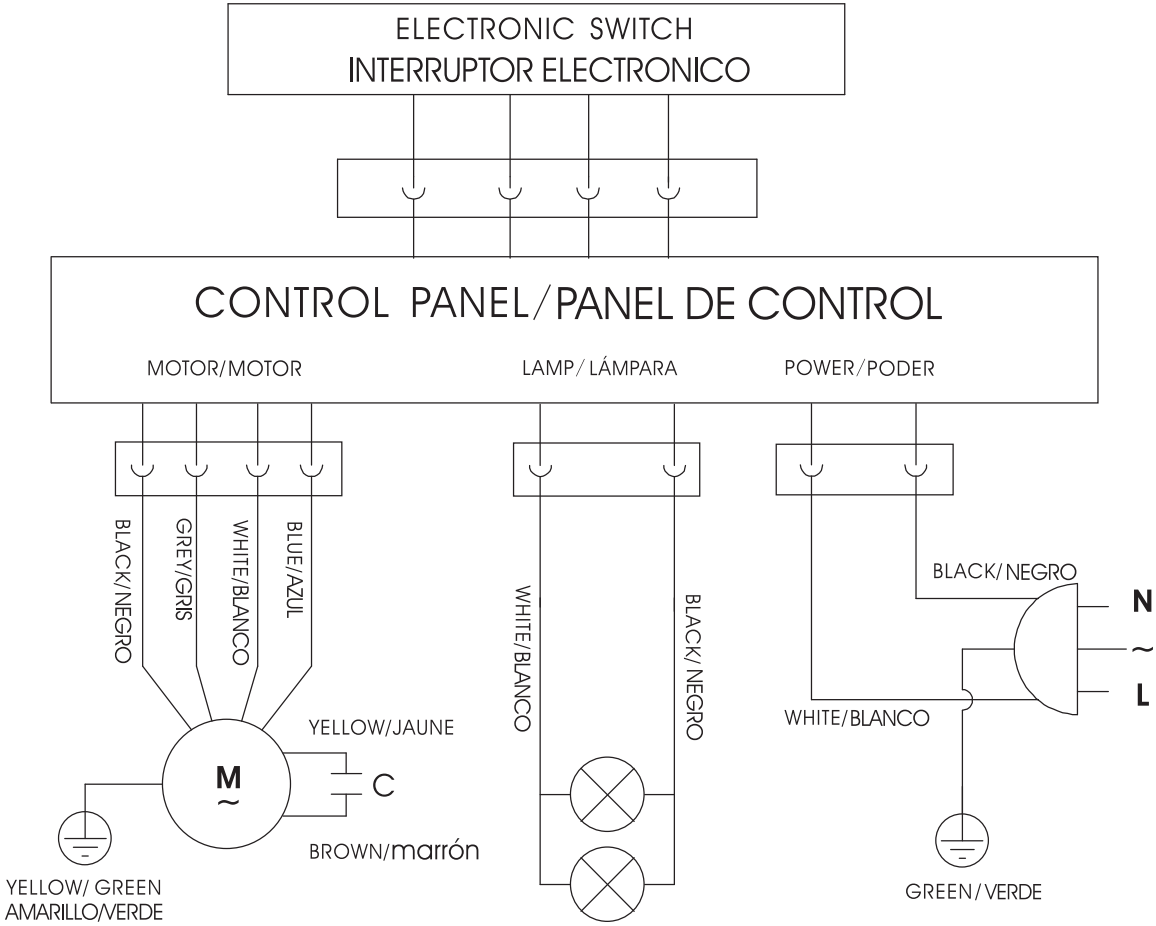


**DANGER:** Turn off the power circuit breaker or the power switch on the junction box before installing or servicing this unit. Touching circuitry inside the range hood while it is energized will result in death or serious injury.

Problem	Solution
The range hood will not operate.	<ul style="list-style-type: none"> <li><input type="checkbox"/> Check that the power supply cable and all electrical wiring are properly connected.</li> <li><input type="checkbox"/> Check that the power is turned on at the junction box or circuit breaker.</li> <li><input type="checkbox"/> Check that the wiring between the switch board and the control board are connected properly.</li> </ul>
The range hood vibrates when the fan is operating.	<ul style="list-style-type: none"> <li><input type="checkbox"/> Check that the range hood has been secured properly to the wall or cabinet. Tighten it into position, if necessary.</li> <li><input type="checkbox"/> Check that the motor is secured in place. If not, then tighten the motor in place.</li> <li><input type="checkbox"/> Check that the fan is not damaged. If so, replace the fan.</li> </ul>
The fans seem weak.	<ul style="list-style-type: none"> <li><input type="checkbox"/> Check that the duct size used is at least 6 in.(152mm). The range hood will not function efficiently with insufficient duct size.</li> <li><input type="checkbox"/> Check that the duct is not clogged with debris and the tight mesh on the wall cap, if applicable, isn't restricting air flow.</li> <li><input type="checkbox"/> Check that the damper unit is opening properly, if applicable.</li> </ul>
The lights work, but the fan is not spinning, is stuck, or is rattling.	<ul style="list-style-type: none"> <li><input type="checkbox"/> The lights work, but the fan is not spinning, is stuck, or is rattling.</li> <li><input type="checkbox"/> Check that the fan isn't jammed or scraping the bottom.</li> <li><input type="checkbox"/> If nothing else works, the motor may be defective or seized. If so, replace the motor.</li> </ul>
The range hood is not venting properly.	<ul style="list-style-type: none"> <li><input type="checkbox"/> Check that the distance between the cook top and the bottom of the range hood is min. at 24 in.</li> <li><input type="checkbox"/> Check that duct work follows all requirements. Use metal duct work with a uniform diameter of 6 in.(152mm). Reduce the length of duct work and the number of elbows if necessary. Ensure that all joints are properly connected, sealed, and taped.</li> <li><input type="checkbox"/> Check that the duct does not open against the wind.</li> <li><input type="checkbox"/> Ensure that the power is on high speed for heavy cooking.</li> <li><input type="checkbox"/> Wind from opened windows or doors may affect the performance of the range hood. Close windows and doors to eliminate outside air flow.</li> </ul>
A light does not work.	<ul style="list-style-type: none"> <li><input type="checkbox"/> Check the light bulb to see if it is loose. If so, tighten.</li> <li><input type="checkbox"/> Remove the problem bulb and insert one you know is working. If the properly functioning light does not come on, the problem may be the light assembly. Have the light assembly serviced or replaced.</li> </ul>

# Wiring Diagram

## WIRING DIAGRAM/DIAGRAMA DE ALAMBRE



# Tabla de Contenidos

Tabla de Contenidos .....	1
Información de Seguridad .....	1-2
Preinstalación .....	3-4
Instalación .....	5-8
Operación .....	9
Mantenimiento .....	10-11
Cuidado y Limpieza .....	12
Resolución de Problemas .....	13
Diagrama de Cableado .....	14

## Información de Seguridad

### INFORMACIÓN GENERAL DE SEGURIDAD

1. Utilice esta unidad únicamente de la manera prevista. Si tiene alguna pregunta, contacte al distribuidor o importador.
2. Lea atentamente esta guía antes de instalar o utilizar este producto. Guarde esta guía para uso del inspector local de electricidad.
3. Esta campana tiene un sistema de protección térmico para el motor, que se apagará automáticamente si el motor se sobrecalienta. Si la protección contra el sobrecalentamiento se activa, desconecte la campana de la alimentación y espere 15 minutos para que el motor se enfríe.

### INFORMACIÓN DE SEGURIDAD PARA LA INSTALACIÓN

1. Las instrucciones de instalación en este manual están dirigidas a instaladores cualificados, técnicos de servicio y otras personas con conocimientos técnicos o eléctricos. Nunca intente instalar este aparato por sí mismo.
2. Su instalación debe cumplir con toda la normativa local vigente.
3. Instrucciones de puesta a tierra: este aparato debe estar conectado a tierra. En caso de cortocircuito eléctrico, la conexión a tierra reduce el riesgo de descarga eléctrica proporcionando un cable de escape para la corriente eléctrica. Este aparato está equipado con un cable de alimentación que contiene un cable de puesta a tierra con una toma de tierra. El enchufe debe estar enchufado y el tomacorriente debidamente instalado y puesto a tierra. Consulte a un electricista cualificado si las instrucciones de puesta a tierra no se entienden

completamente, o si existe alguna duda de si el aparato está correctamente conectado a tierra. No use un cable de extensión si el cable de alimentación es demasiado corto. Haga que un electricista cualificado instale y tome un tomacorriente cerca del aparato.

4. Se necesita aire suficiente para una combustión y escape de gases adecuados a través de la cubierta del conducto para evitar el backdraft (explosión de gases de humo con efecto reverso). Es recomendable seguir directrices y normas de seguridad como las publicadas por la National Fire Protection Association (NFPA), la Sociedad Americana de Ingenieros de Calefacción, Refrigeración y Aire Acondicionado (ASHRAE) y las autoridades locales.
5. Los conductos usados deben limpiarse o reemplazarse si es necesario. Revise y pegue con cinta adhesiva todas las uniones en los conductos para asegurar las conexiones.



**PELIGRO:** apague el interruptor de alimentación en la caja de conexiones antes de instalar o utilizar este aparato. Tocar los circuitos dentro de la campana mientras está conectada podrá resultar en muerte o lesiones graves.



**PELIGRO:** todo el cableado eléctrico debe estar instalado, aislado y conectado a tierra correctamente. Un aislamiento y una conexión a tierra inadecuados podrán dar como resultado una descarga eléctrica mortal.



**PELIGRO:** Si instala este aparato cerca de una fuente de gas, apáguela antes de instalarlo.



**ADVERTENCIA:** intentar instalar o reparar este aparato sin contar con conocimientos técnicos o eléctricos puede ocasionar lesiones.

# Información de seguridad (continuación)



**ADVERTENCIA:** el aparato tiene bordes afilados. Siempre use guantes de seguridad durante su instalación, limpieza o manipulación.



**Advertencia:** una conexión a tierra inadecuada puede provocar una descarga eléctrica.



**ADVERTENCIA:** Siempre deje las rejillas de seguridad y los filtros en su lugar. Sin estos componentes, los ventiladores en funcionamiento podrían engancharse al cabello, los dedos o la ropa suelta.



**PRECAUCIÓN:** Para las cubiertas de acero inoxidable, retire con cuidado el plástico protector de la superficie de la cubierta antes de su instalación.

## INFORMACIÓN GENERAL DE SEGURIDAD

1. Los ventiladores siempre deben expulsar el aire al exterior. Nunca expulse el aire hacia espacios interiores, techos, áticos o garajes.
2. Cuando corte o taladre en la pared o el techo, no dañe el cableado eléctrico u otros servicios ocultos.

## INFORMACIÓN DE SEGURIDAD DE COCCIÓN

1. Use este aparato solo conforme a las instrucciones del fabricante. Si tiene alguna pregunta, comuníquese con el fabricante a través de la dirección o número de teléfono que figuran en la garantía.
2. Antes de reparar o limpiar el aparato, desconéctelo de la corriente y bloquee los medios de conexión del servicio para evitar que se encienda accidentalmente. Cuando los medios de conexión del servicio no se pueden bloquear, ponga de forma segura un dispositivo de advertencia llamativo, como una etiqueta, en el panel de servicio.
3. El trabajo de instalación y el cableado eléctrico deben ser realizados por una persona o personas calificadas de acuerdo con todos los códigos y normas vigentes, incluida la construcción con clasificación anti-incendios.

4. Se necesita aire suficiente para una correcta combustión y escape de gases a través de la chimenea de los equipos que queman combustible para evitar el backdraft (explosión de gases de humo con efecto reverso). Siga las pautas y normas de seguridad del fabricante del equipo de calefacción, como las publicadas por la National Fire Protection Association (NFPA), la Sociedad Americana de Ingenieros de Calefacción, Refrigeración y Aire Acondicionado (ASHRAE) y las autoridades locales.
5. Cuando corte o taladre en la pared o el techo, no dañe el cableado eléctrico ni otros servicios ocultos.
6. Los ventiladores deben dirigirse siempre al exterior.
7. Esta unidad debe estar conectada a tierra.

## INFORMACIÓN DE LIMPIEZA SEGURA

1. El ventilador y los filtros deben limpiarse periódicamente y evitar la acumulación de residuos de comida. Los filtros viejos y desgastados deben ser reemplazados inmediatamente.
2. Nunca desmonte las piezas por sí mismo. Las piezas deben ser desmontadas solo por personal cualificado.



**ADVERTENCIA:** Para reducir el riesgo de incendio, utilice únicamente conductos de metal. Nunca use conductos de plástico.



**ADVERTENCIA:** Manténgase alejado del ventilador giratorio cuando el motor esté funcionando.



**ADVERTENCIA:** Mantenga este aparato limpio y libre de grasa y acumulación de residuos en todo momento para evitar incendios.



**PRECAUCIÓN:** Sólo para uso con ventilación general. No utilice los ventiladores de la campana extractora para extraer vapores peligrosos o explosivos.

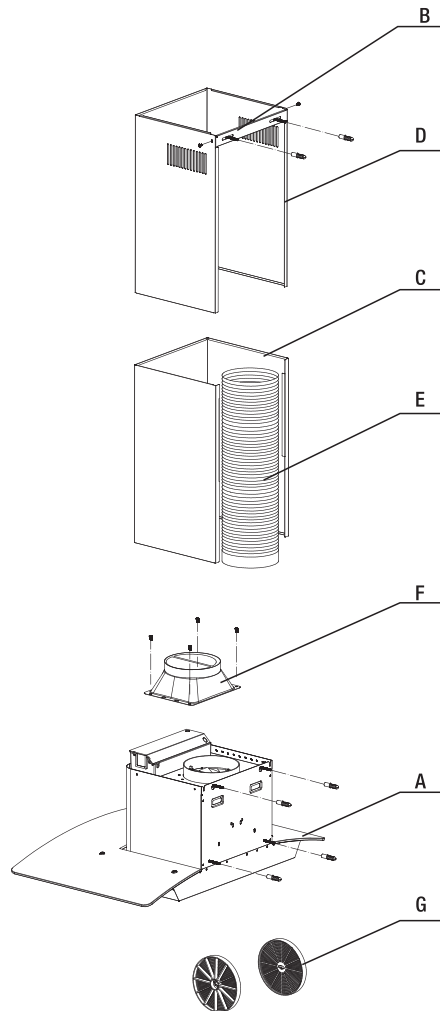


**PRECAUCIÓN:** Nunca eche ceniza de cigarrillos, sustancias inflamables o cualquier objeto extraño en los ventiladores.



# Preinstalación

## CONTENIDOS DEL PAQUETE



Parte	Descripción	Cantidad
A	Campana extractora (incluidos filtros y lámparas).	1
B	Soporte de chimenea	1
C	Chimenea de fondo	1
D	Chimenea superior	1
E	Diámetro de 6 pulgadas del conducto flexible (longitud máxima de 59 pulgadas)	1
F	Adaptador de salida	1
G	Filtros de carbón	2

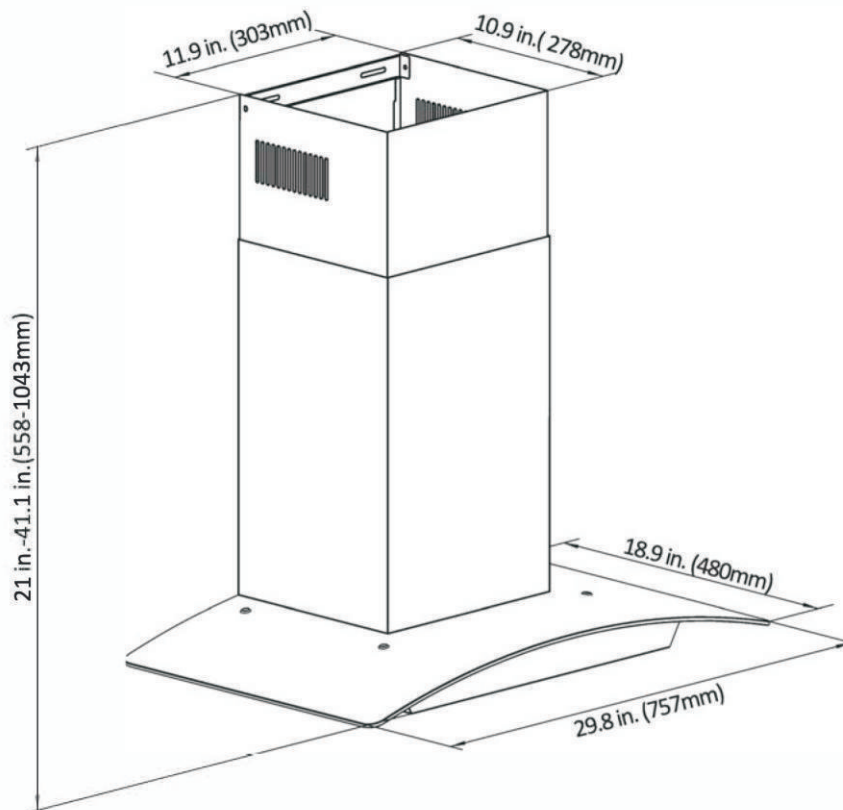
# Preinstalación

## HERRAMIENTAS REQUERIDAS

Cinta métrica	Nivel	Cuchillo de uso
Lápiz	Cinta adhesiva	Llave ajustable
Destornillador Phillips	Destornillador de cabeza	Pinzas de punta
Martillo	Taladro eléctrico	Gafas de seguridad
Guantes de seguridad		

## ESPECIFICACIONES

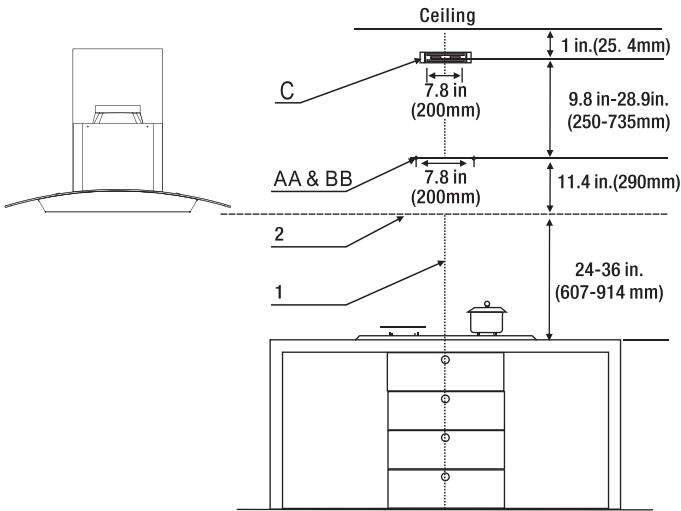
Dimensiones	Volt.	Hercios	Fan CFM	Velocidad	Potencia de luz	Grado de acero inoxidable
29.8 in.(757 mm) W	120	60	400	Alta	3	430
18.9 in.(480 mm) D				Media		
21 in.-41.1 in.(558-1043mm) H				Baja		



# Instalación

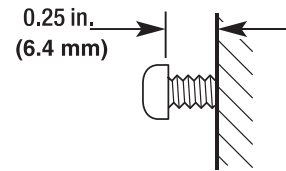
## 1 PERFORACIÓN Y REVESTIMIENTO

1. Dibuje una línea central vertical (1) en la pared del soporte hasta el techo, o tan alto como sea práctico, en el centro del área donde se instalará el capó.
2. Dibuje una línea horizontal (2) por encima del rango a la distancia preferida entre 24 a 36 pulgadas (607-762 mm). Consulte el manual del usuario de su rango si es necesario.
3. Coloque el soporte de montaje de la chimenea (C) en la pared, como se muestra a aproximadamente 1 pulgada (25,4 mm) del techo.

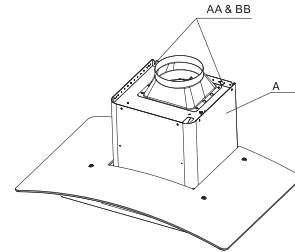


## 2 MONTAJE DE LA CAMPANA

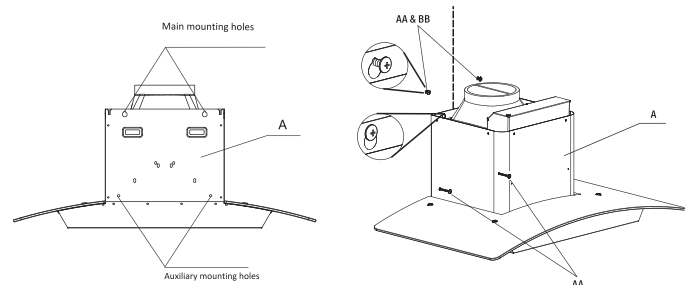
1. Monte dos tornillos de montaje principales (AA) con anclajes para paneles de yeso (BB) en la pared a lo largo de la línea que está 10 pulgadas (254 mm) por encima de la línea horizontal (2). Deje un espacio de 0,25 pulgadas (6,4 mm) entre la pared y la parte posterior de la cabeza del tornillo para deslizar la campana en su lugar. Asegúrese de que los tornillos y anclajes (AA y BB) estén paralelos a la línea horizontal (2).



2. Sujete el cuerpo de la cubierta (A) a los tornillos (AA) montados en la pared y apriete firmemente los tornillos (AA) para asegurar el cuerpo de la cubierta (A) en la pared.



3. Instale dos tornillos de montaje adicionales del cuerpo de la campana (AA) en los orificios de montaje auxiliares para asegurar el cuerpo de la campana (A) en su lugar.



# Instalación (continuación)

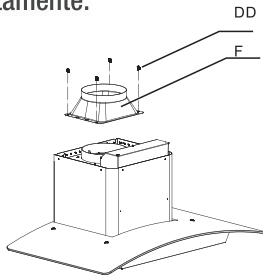
## 3 SISTEMA DE CONEXIÓN DE VENTILACIÓN. SOLO PARA INSTALACIONES VENTADAS.



**PRECAUCIÓN:** Para reducir el riesgo de incendio, utilice únicamente conductos metálicos. (Se incluye conducto flexible de 6 pulgadas.)

### 1. CONJUNTO DEL ADAPTADOR DE SALIDA

- Fije el adaptador de salida en la parte superior de la campana con 4 tornillos (CC)
- Asegúrese de que las dos aletas del conjunto de compuerta funcionen correctamente.

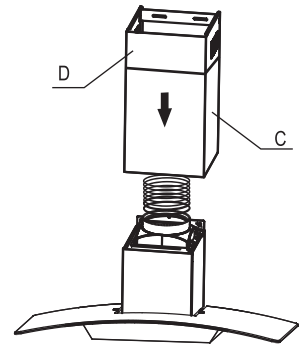
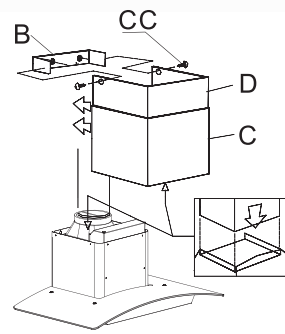


- Coloque una longitud adecuada de conducto flexible de 6 pulgadas (incluido) en la parte superior del adaptador de salida. La longitud máxima del conducto flexible es de 59 pulgadas.
- Asegure el conducto. Revise y pegue con cinta adhesiva todas las uniones en el conducto para garantizar que las conexiones sean correctas.

### 2. MONTAJE DE CHIMENEA TELESCÓPICA

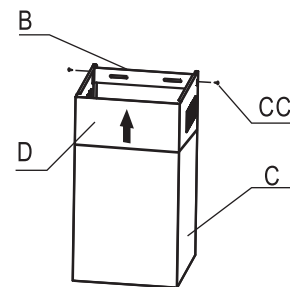
Parte inferior de la chimenea:

- Deslice cuidadosamente la chimenea inferior (C) hacia abajo fuera de la chimenea superior (D), y luego coloque con cuidado la chimenea inferior (C) en el área empotrada de la parte superior del cuerpo de la campana.
- Opcionalmente, fije la chimenea inferior (C) con los tres tornillos inferiores de la chimenea (DD) suministrados desde el interior del cuerpo de la cubierta.



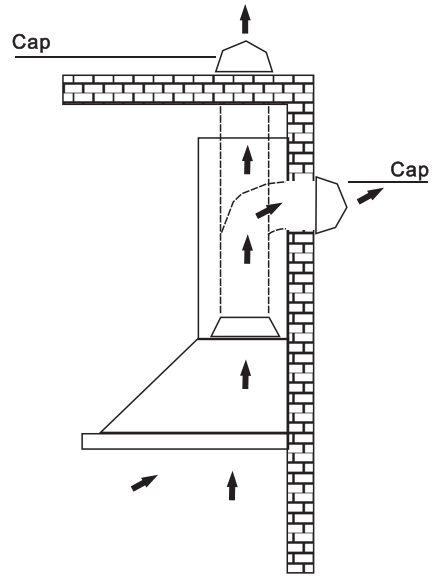
Parte superior de la chimenea:

- Levante la chimenea superior (D) hacia arriba dentro de la chimenea inferior (C). Fije la chimenea superior (D) al soporte de montaje de la chimenea (B) que está firmemente sujeto a la pared con los dos tornillos del soporte de la chimenea (CC) suministrados desde los lados.



# Instalación (continuación)

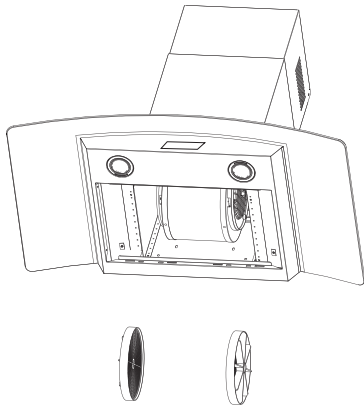
1. Decida dónde se colocará el conducto (no incluido) entre el capó y el exterior.
2. Un conducto recto y corto permitirá que la campana funcione de manera más eficiente.
3. Los conductos largos, las curvas y las transiciones reducirán el rendimiento del conducto. Use la menor cantidad posible de ellos. Es posible que se requieran conductos más anchos para un mejor rendimiento cuando los conductos son más largos.
4. Conecte un conducto redondo de aproximadamente 152 mm (6 pulg.) al adaptador de salida de aire.
5. El aire no debe extraerse en una chimenea que se utilice para extraer humos de otros aparatos que queman gas u otros combustibles. Se deben cumplir las normas relativas a la descarga de aires.
6. Instale una tapa de techo / pared. Conecte el conducto metálico redondo a la tapa y trabaje de nuevo hacia la ubicación de la campana. Use cinta adhesiva para sellar las juntas entre las secciones de conductos. (La tapa del techo / pared debe obtenerse en su zona).



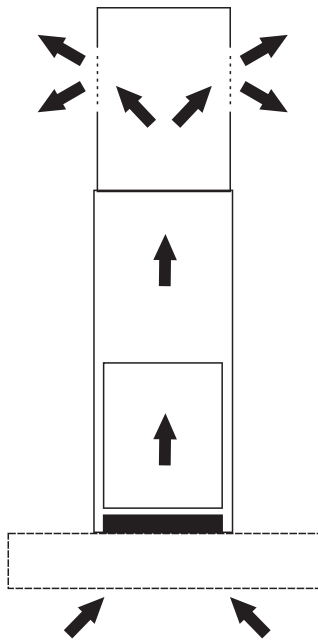
# Instalación (continuación)

## SOLO PARA INSTALACIONES NO VENTADAS

1. Instale el filtro de carbón ( incluido).



2. Tenga en cuenta que el aire saldrá de las dos rejillas en los dos lados de la parte superior de la chimenea.



## CONEXIÓN ELÉCTRICA



**ADVERTENCIA:** Si el cable de suministro está dañado, debe ser reemplazado por un agente de servicio o por personas con cualificación similar para evitar el peligro.



**ADVERTENCIA:** No use un enchufe ni un cable de extensión que no sean los suministrados inicialmente con la campana.



**ADVERTENCIA:** La conexión a tierra de esta campana es obligatoria. No quite la clavija de conexión a tierra del enchufe.

## 1 CONTROLES

1. Esta campana se opera con los controles de tacto suave ubicados en el panel frontal.
2. El interruptor de la luz (1) enciende y apaga las lámparas.
3. El interruptor de encendido/apagado (4) enciende el extractor en tres configuraciones de velocidad.

1-LAMPARA  
2-VELOCIDAD +  
3-VELOCIDAD -  
4-ON/OFF (ENCENDIDO/APAGADO)



### Cómo configurar la velocidad del ventilador:

Presione el botón de encendido/apagado (4) para activar el ventilador, luego presione el botón de velocidad + (2) y el botón de velocidad - (3) para configurar la velocidad del ventilador. Presione el botón de Encendido/Apagado (4) para apagar el ventilador y memorizar automáticamente el ajuste de velocidad anterior para comenzar la próxima vez que se encienda. Esta campana se puede ajustar a tres velocidades.



### Cómo configurar el reloj:

Presione el botón de encendido/apagado (4) durante 3 segundos. Cuando el indicador de tiempo en la pantalla parpadee, presione el botón de velocidad + (2) y el botón de velocidad - (3) para ajustar la configuración de la hora. Presione el botón de Encendido/Apagado (4) nuevamente para ajustar los minutos usando los botones + y - (2 y 3). El reloj retendrá automáticamente el ajuste de la hora después de 5 segundos de inactividad.

### Cómo configurar el retardo del temporizador:

Cuando el ventilador está funcionando, presione el botón de encendido/apagado (4) durante 3 segundos. El indicador de retardo del temporizador en la pantalla comienza a parpadear. Presione los botones + y - (2 y 3) para configurar el intervalo de tiempo de retardo de 1 a 15 minutos. El temporizador retendrá automáticamente el ajuste de tiempo después de 3 segundos de inactividad.

### Función indicadora de limpieza:

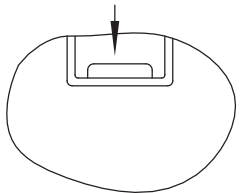
Después de un período prolongado de uso, el símbolo  en la pantalla se ilumina para indicar que se debe limpiar el filtro de grasa. Presione el botón de la lámpara (1) durante 3 segundos para eliminar este símbolo una vez que se haya limpiado el filtro. El símbolo  permanecerá iluminado si no presiona el botón de la lámpara (1) durante 3 segundos.

# Mantenimiento

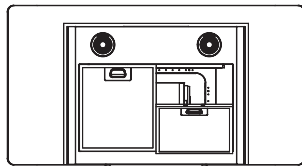
## FILTRO DE GRASA DE ALUMINIO

- Los filtros de grasa deben limpiarse con frecuencia (cada dos meses de operación, o más frecuentemente cuando se hace un uso elevado). Use una solución de detergente caliente.
- Los filtros de grasa son aptos para lavavajillas.

(1) Apretar



(2) Levantar

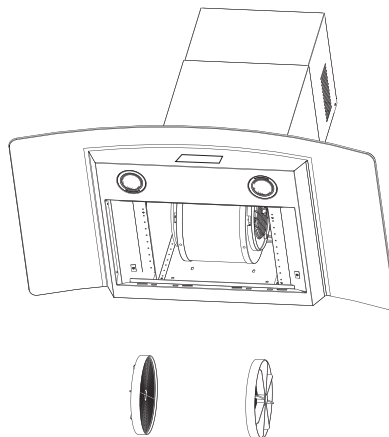


1. Retire los filtros de grasa uno por uno presionando hacia abajo cada pestillo. Esto desenganchará el filtro de la capucha. Incline el filtro hacia abajo y retírelo.
2. Lave los filtros, teniendo cuidado de no doblarlos. Permita que se sequen antes de reemplazarlos.
3. Cuando reemplace los filtros, asegúrese de que el cierre sea visible desde el exterior.
4. Para instalar los filtros de grasa, alinee las pestañas de los filtros traseros con las ranuras en el capó. Presione el pestillo hacia abajo, empuje el filtro hasta su posición y suéltelo. Asegúrese de que el filtro esté enganchado de manera segura después del ensamblaje.

## RECIRCULACIÓN NO CANALIZADA DE FILTROS DE CARBONO (INCLUIDOS)

- Este filtro no es lavable, no puede regenerarse y debe reemplazarse aproximadamente cada 3 meses de operación, o más frecuentemente en el caso de un uso intenso.

1. Retire los filtros deflectores.
2. El filtro de carbón (incluido) se debe colocar en la unidad de succión de dentro de la campana, centrándolo dentro de ella y girándolo 90° hasta que encajen en su lugar.
3. Ponga los filtros deflectores en su lugar.





# Mantenimiento (continuación)

## ILUMINACIÓN



**ADVERTENCIA:** apague siempre el suministro eléctrico antes de realizar cualquier operación en el aparato.



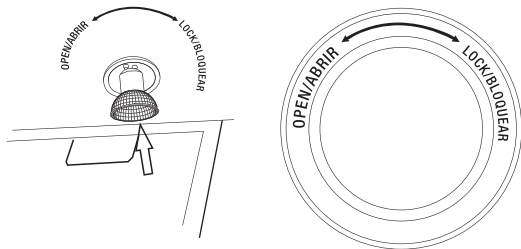
**PRECAUCIÓN:** La superficie de las lámparas puede estar caliente. Tenga cuidado al hacer el reemplazo.

□ Esta campana requiere dos lámparas LED(120V, GU10, 3W)

□ Para cambiar las lámparas LED

1. Desconecte la alimentación y espere 5 minutos hasta que las bombillas se enfríen.

2. Use guantes y retire la bombilla tirando de los lados.



Tenga en cuenta que los cambios o modificaciones de este producto no están expresamente aprobados por la parte responsable del cumplimiento y puede anular la autoridad del usuario para operar el equipo.

Este equipo ha sido probado y cumple con las características de un dispositivo digital de Clase B, de conformidad con la Parte 15 de las Normas de la FCC. Estos parámetros están diseñados para proporcionar una protección razonable contra interferencias perjudiciales en una instalación residencial.

Este equipo genera, utiliza y puede emitir energía de radiofrecuencia y, si no se instala y utiliza de acuerdo con las instrucciones, puede causar interferencias perjudiciales en las comunicaciones de radio. Aún así, no está garantizado que no se produzcan interferencias en una instalación en particular.

Si este equipo causa interferencias perjudiciales en la recepción de radio o televisión, lo cual puede determinarse encendiendo y apagando el equipo, se recomienda al usuario que intente corregir la interferencia mediante una o más de las siguientes medidas:

- Reorientar o reubicar la antena receptora.
- Aumente la separación entre el equipo y el receptor.
- Conecte el equipo a una toma de corriente en un circuito diferente al que está conectado el receptor.
- Consulte al distribuidor o a un técnico de radio / TV con experiencia para conseguir ayuda.

# Cuidado y Limpieza



ADVERTENCIA: Si no se mantienen los estándares básicos de cuidado y limpieza de la campana, aumentará el riesgo de incendio.

La campana extractora debe limpiarse regularmente interna y externamente para preservar su apariencia y rendimiento.

## Debe

- Limpie la campana de extracción periódicamente con agua caliente y jabón y un paño de algodón limpio.
- Limpie siempre en la dirección de las líneas de pulido originales.
- Siempre enjuague bien con agua limpia dos o tres veces después de limpiar. Seque completamente con un paño suave y no abrasivo.
- Después de la limpieza, puede pulir con un limpiador o pulidor de acero inoxidable no abrasivo. Siempre frote ligeramente.
- Asegúrese de que el sistema de ventilación (si tiene) esté libre de residuos.

## No Debe

- No use sobre la campana detergentes corrosivos o abrasivos, ni productos que contengan cloruro, fluoruro, yoduro o bromuro, ya que deteriorarán la superficie rápidamente.
- No permita que los compuestos de limpieza, las soluciones salinas, los desinfectantes o los blanqueadores permanezcan en contacto con el producto durante períodos prolongados.
- No permita que los depósitos permanezcan por largos períodos de tiempo en la campana extractora. Enjuague con agua inmediatamente y seque con un paño limpio.
- No deje la campana extractora sucia durante largos períodos de tiempo ni permita que se acumule suciedad.
- No permita que el polvo de yeso o cualquier otro residuo de la construcción entre en la campana. Durante construcción o renovación, cubrir el capó de la campana.
- Los productos combustibles utilizados para la limpieza, como la acetona, el alcohol, el éter o el bencilo, son altamente explosivos y nunca deben usarse cerca de una estufa o cocina.

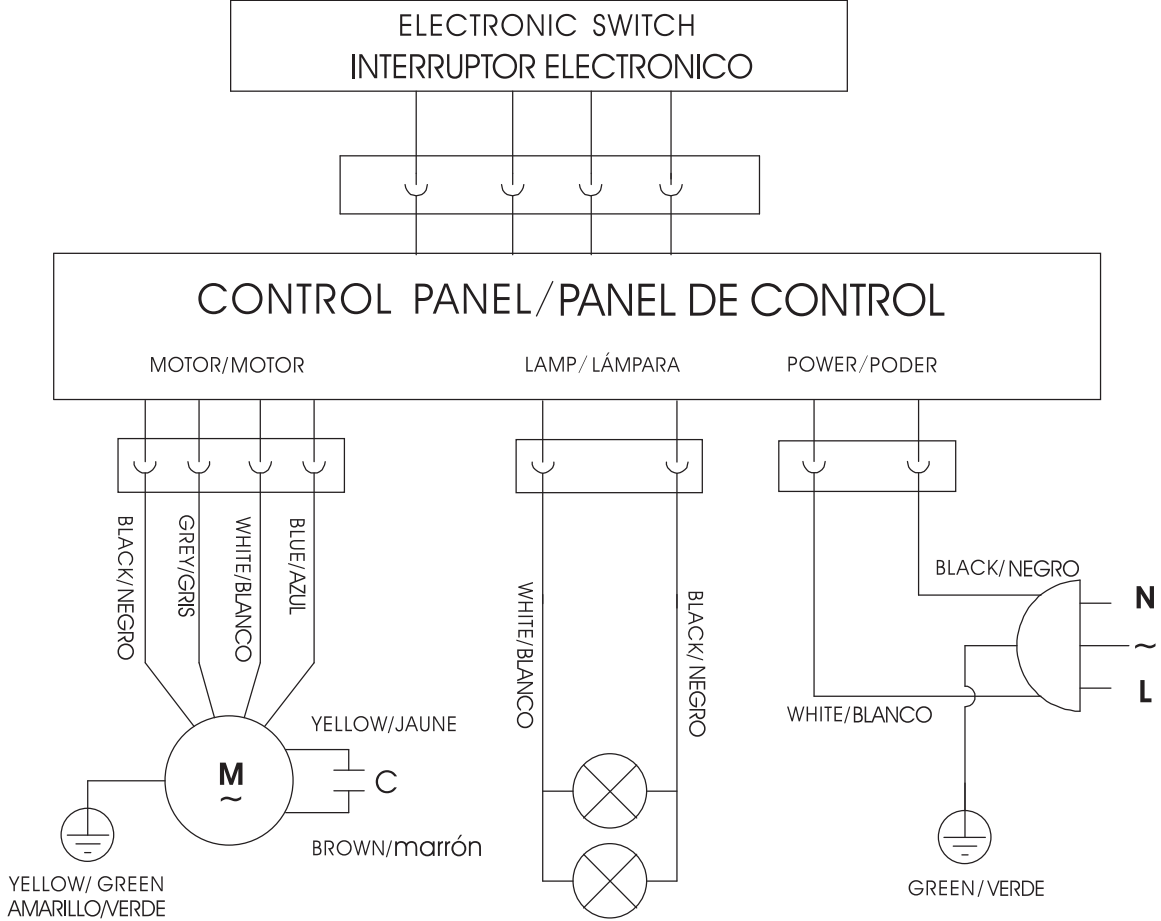
# Solución de problemas



**PELIGRO:** apague el disyuntor o el interruptor de alimentación en la caja de conexiones antes de instalar o manipular este aparato. Tocar los circuitos dentro de la campana de la cocina mientras está energizada dará como resultado la muerte o lesiones graves.

Problema	Solución
La campana no funciona.	<ul style="list-style-type: none"> <li><input type="checkbox"/> Compruebe que el cable de alimentación y todo el cableado eléctrico están conectados correctamente. <input type="checkbox"/> Compruebe que la alimentación está encendida en la caja de conexiones o el disyuntor.</li> </ul>
	<ul style="list-style-type: none"> <li><input type="checkbox"/> Compruebe que el cableado entre la placa del interruptor y la placa de control están conectados correctamente.</li> </ul>
La campana de cocina vibra cuando el ventilador está funcionando.	<ul style="list-style-type: none"> <li><input type="checkbox"/> Compruebe que la campana se haya asegurado correctamente a la pared. Apriétela, si es necesario.</li> <li><input type="checkbox"/> Verifique que el motor está anclado en su lugar. Si no, apriete el motor en su lugar. Compruebe que el ventilador no esté dañado. Si es así, reemplace el ventilador.</li> </ul>
Los ventiladores parecen funcionar débilmente.	<ul style="list-style-type: none"> <li><input type="checkbox"/> Compruebe que el tamaño del conducto utilizado sea de al menos 152 mm (6 pulg.). La campana no funcionará eficientemente con un tamaño de conducto insuficiente.</li> <li><input type="checkbox"/> Verifique que el conducto no esté obstruido con residuos y que la malla apretada en la tapa de la pared, si corresponde, no esté restringiendo el flujo de aire. Verifique que la unidad de amortiguación se abra correctamente, si corresponde.</li> </ul>
Las luces funcionan, pero el ventilador no está girando, está atascado o está sonando.	<ul style="list-style-type: none"> <li><input type="checkbox"/> Compruebe que el ventilador no esté atascado o raspando la parte inferior. Si nada más funciona, el motor puede estar defectuoso. Si es así, reemplace el motor.</li> </ul>
La campana no se está ventilando adecuadamente.	<ul style="list-style-type: none"> <li><input type="checkbox"/> Verifique que la distancia entre la parte superior de la cocina y la parte inferior de la campana extractora sea al menos 24 in.</li> <li><input type="checkbox"/> Verifique que los conductos cumplan con todos los requisitos. Use un conducto de metal con un diámetro uniforme de 150 mm (6 pulg.). Reduzca la longitud del conducto y el número de codos si es necesario. Asegúrese de que todas las juntas estén bien conectadas y selladas.</li> <li><input type="checkbox"/> Compruebe que el conducto no se abre contra el viento. <input type="checkbox"/> Asegúrese de que la potencia esté en alta velocidad para cocina intensa. El viento de las ventanas o puertas abiertas puede afectar el rendimiento de la campana. Cierre las ventanas y puertas para eliminar el flujo de aire exterior.</li> </ul>
Una luz no funciona.	<ul style="list-style-type: none"> <li><input type="checkbox"/> Revise la bombilla para ver si está suelta. Si es así, apriete. Retire la bombilla problemática e inserte una que sepa que está funcionando. Si la bombilla funciona correctamente, pero no se enciende en la campana, el problema puede ser el ensamblaje de la luz. Haga reparar o reemplazar el ensamblaje de la luz.</li> </ul>

# Diagrama de cableado



The word "Premium" is written in a serif font, with a horizontal line above the 'i'. It is enclosed within a white oval shape that has a thin black border. The logo is positioned in the bottom right corner of the page, which has a dark grey background.

Premium

Manual de uso y cuidado  
Precauciones importantes

Este producto es para uso doméstico únicamente.