

Model/Modelo:
PRNS6070DX /PRNS7170DX/PRNS8570DX

**PREMIUM
LEVELLA®**

**SINGLE DOOR MERCHANDISER
REFRIGERATOR**

**VITRINA REFRIGERADOR
COMERCIAL DE UNA PUERTA**



USER MANUAL/ MANUAL DE INSTRUCCIONES

Use and care manual. Important safeguards.

Manual de uso y cuidado. Precauciones importantes.

Table of Contents

I、 Important safety instructions 5

II、 Transportation and Placement 6

III、 Product Features 7

IV、 Operation of the Temperature control knob..... 8

V、 Electrical Connection 9

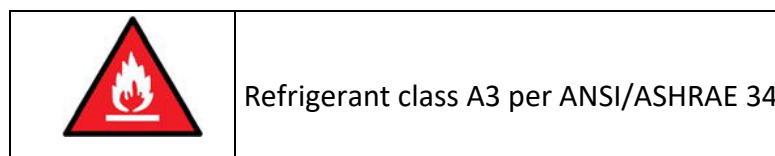
VI、 Safety Warnings 10

VII、 Use Warnings 10

VIII、 Cleaning of the unit 10

IX、 Ordinary Trouble and Remedies 10

- ◆ Please follow local regulations regarding the disposal of the appliance for its flammable blowing gas. Before you scrap the appliance, please take off the doors to prevent children from being trapped.
- ◆ **WARNING:** Keep clear of obstruction all ventilation openings in the appliance enclosure or in the structure for building-in.
- ◆ **WARNING:** Do not use mechanical devices or other means to accelerate the defrosting process, other than those recommended by the manufacturer.
- ◆ **WARNING:** Do not damage the refrigerant circuit.
- ◆ **WARNING:** Do not use electrical appliances inside the food storage compartments of the appliance, unless they are of the type recommended by the manufacturer.
- ◆ The electrical schematic and parameters shall be based on the product rating label.
- ◆ The product may be improved without notice.
- ◆ If the supply cord is damaged, it must be replaced by a special cord or assembly available from the manufacturer or its service agent.
- ◆ Reducing the door opening time and frequency is good to keep a cold temperature inside the refrigerator.
- ◆ Never block the air suction and outlet to keep the air circulation and refrigeration capability.
- ◆ Do not overfill, as this will influence the cooling effect.
- ◆ Adjust the racks height for proper food storage.
- ◆ Cool hot foods down to room temperature before you put them into the refrigerator.
- ◆ Try to reduce the opening times to keep the refrigerator inside cold in case the power is cut off.
- ◆ Never touch compressor to avoid scalding.
- ◆ This appliance is not intended for use by persons (including children) whose physical, sensory, or mental capabilities may be different or reduced, or who lack experience or knowledge, unless such persons receive supervision or training to operate the appliance by a person responsible for their safety.
- ◆ Children should be supervised to ensure that they do not play with the appliance.
- ◆ Cleaning and user maintenance shall not be done by children without supervision.
- ◆ Do not store explosive substances such as aerosol cans with flammable propellant in this appliance. During normal operation, the emission noise level does not exceed 68dB(A).
- ◆ With the climate class is 4, the appliance is suggested to be used at 16°C-32°C ambient temperature.
- ◆ Please discard according to local regulations regarding disposal of the appliance for its flammable gas. Before you scrap the appliance, please take off the doors to prevent children from being trapped.
- ◆ **Warning:** the appliance must be installed in accordance with national wiring regulations.
- ◆ This appliance is to be installed in accordance with the Safety Standard for Refrigeration Systems, ANSI/ASHRAE 15.



Warning: Risk of fire / flammable materials, take care to avoid causing a fire by igniting flammable material.

- ◆ **Notice:** Any person who is involved in working on or breaking into a refrigerant circuit should hold a current valid certificate from an industry-accredited assessment authority, which authorizes their

User's Manual

competence to handle refrigerants safely in accordance with an industry recognized assessment specification.

- ◆ Notice: Servicing shall only be performed as recommended by the equipment manufacturer. Maintenance and repairs requiring the assistance of other skilled personnel shall be carried out under the supervision of the person competent in the use of flammable refrigerants.
- ◆ Notice: Component parts shall be replaced with like components to minimize the risk of possible ignition due to incorrect parts.
- ◆ WARNING- The appliance shall be installed in a room without continuously operating ignition sources (for example: open flames, an operating gas appliance or an operating electric heater).
- ◆ Do not pierce or burn.
- ◆ Be aware that refrigerants may not contain an odor.
- ◆ Warning: The appliance shall be installed in a well-ventilated area where the room size corresponds to the room area as specified for operation.
- ◆ Warning: The appliance shall be installed to prevent mechanical damage from occurring.
- ◆ Check that the cable will not be subject to wear, corrosion, excessive pressure, vibration, sharp edges, or any other adverse environmental effects. The check shall also consider the effects of aging or continual vibration from sources such as compressors or fans.
- ◆ If the supply cord is damaged, it must be replaced by the manufacturer or its service agent or a similarly qualified person in order to avoid a hazard.
- ◆ Before carrying out the decommissioning procedure, it is essential that the technician is completely familiar with the equipment and all its details. It is recommended good practice that all refrigerants are recovered safely. Prior to the task being carried out, an oil and refrigerant sample shall be taken in case analysis is required prior to re-using recovered refrigerant. It is essential that electrical power is available before the task commences.
- ◆ When removing refrigerants from a system, either for servicing or decommissioning, it is recommended good practice that all refrigerants are removed safely.
- ◆ The recovery equipment shall be in good working order with a set of instructions concerning the equipment that is at hand and shall be suitable for the recovery of all appropriate refrigerants including, when applicable, FLAMMABLE REFRIGERANTS
- ◆ The recovered refrigerant shall be returned to the refrigerant supplier in the correct recovery cylinder, and the relevant waste transfer note arranged. Do not mix refrigerants in recovery units and especially not in cylinders.
- ◆ The appliance shall not be installed in public corridors or lobbies.

Dear Customer :

Dear users (customer), this manual contains the product's basic knowledge, use instructions, fault diagnosis and basic troubleshooting methods. In order to better understand and use this product, please take good care of this manual and read it carefully.

This equipment is intended for the storage and display of non-time/temperature control for safety foods bottled or canned products only.

I 、 Important safety instructions

1. The range of operating voltage is 97V~130V. To avoid damaging the electrical performance of the compressor, please install with a voltage stabilizer appliance of power not less than 500W, to protect the cooler when the voltage is lower than 97V or higher than 130V.
2. An exclusive single-phase socket must be used. It should be reliably connected to a grounding wire. Caution: The grounding wire is not allowed to connect to a water pipe or a gas pipe.
3. Strong base, acid, organic solvents, and corrosive goods that are easy to pollute the food are prohibited from being stored in the cooler. They can cause corrosiveness or accidents.
4. Don't raise the cooler or the shell of the electric parts, or it will cause a decline in insulation and cause corrosion.
5. When the cooler will be not be used for a long time, disconnect the power and clean it. Please examine the circuit to see whether it is ok before reuse.
6. If the supply cord is damaged, it must be replaced by a special cord or assembly available from the manufacturer or its service agent.
7. The appliance shall be disconnected from its power source during cleaning or maintenance and when replacing parts.
8. The A-weighted emission sound pressure level is below 70Db(A).
9. Do not store explosive substances such as aerosol cans with flammable propellants inside the appliance.
10. Flammable blowing gas of the cooler should be handled according to local regulations. Before you scrap the appliance, please take off the doors to prevent children from being trapped.

 Caution:

1. Risk of fire / flammable materials, take care to avoid causing a fire by igniting flammable material.
2. Keep clear of obstruction all ventilation openings in the appliance enclosure or in the structure for building-in.
3. Do not use mechanical devices or other means to accelerate the defrosting process, other than those recommended by the manufacturer.
4. Do not damage the refrigerant circuit.
5. Do not use electrical appliances inside the food storage compartments of the appliance, unless they are of the type recommended by the manufacturer.
6. The ambient temperature and humidity conditions of the cooler climate class follow the table below:

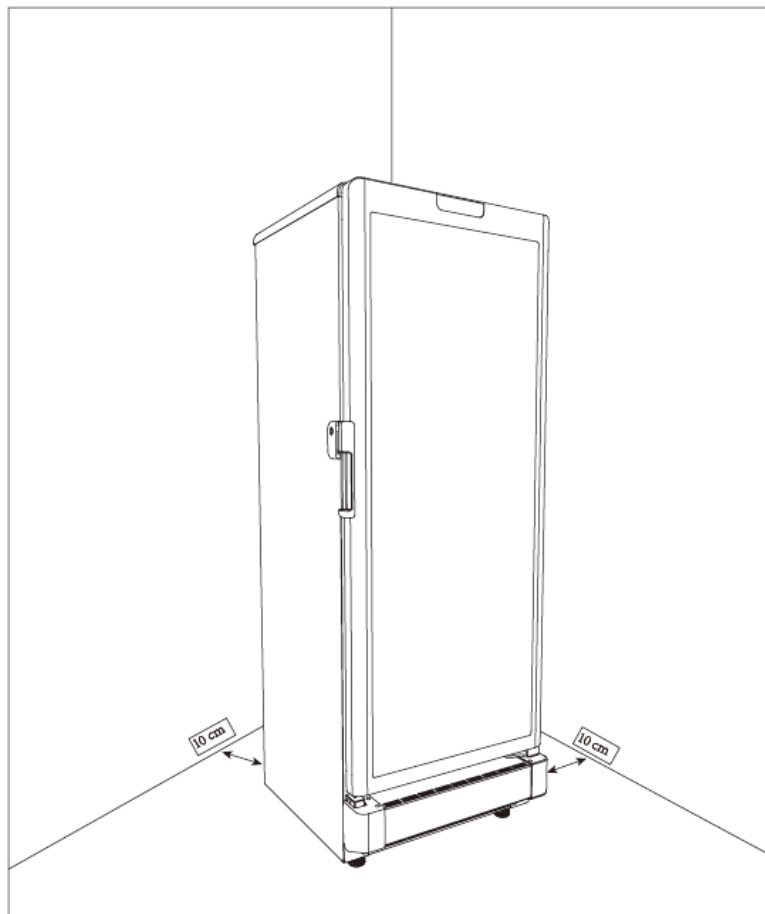
Test room climate class	Dry bulb temperature (°F)	Relative Humidity (%)	Dew point (°F)	Water vapor mass in dry air (g/kg)
3	77	60	62.1	12.0
4	86	55	68.0	14.8
5	104	40	75.0	18.8

NOTE: the water vapor mass in dry air is one of the main points influencing the performance and the energy consumption of the coolers. Therefore, the order of the climate class in the table is based on the water vapor mass column.

II、 Transportation and Placement

Transportation :

1. Take out packing materials and clean all the cabinet using warm water with 5% of neutral soap and then dry it with a soft cloth; for the glass parts only use specific products, avoiding the use of water which can leave limestone residues on the glass.
2. Keep a distance of at least 10 cm from the wall. Please level the unit by settling the adjustable feet.
3. The cabinet must be installed on a perfectly even surface, far away from any heat source included sun rays.
4. Do not install the unit in open places and do not expose it to rain.



Note : schematic diagram for space needs.

Choosing the installation location :

The unit is for indoor application only.

Due to the fact that the unit has a glass door, its performance is highly influenced by environmental conditions. To minimize the environmental effects on the unit's performance, the following are recommended:

- The unit is not to be placed near any kind of heat source.
- The unit is not to be placed near or inside air streams produced by ventilation fans, open doors and/ or windows.
- The unit is not to be situated under a roof-mounted ventilation system.
- The unit should have sufficient space to 'breathe' (always use the rear space to ensure minimum clearance).
- The unit should not be placed under direct sunlight.
- Keep all ventilation openings in the appliance enclosure or in the structure clear of obstruction.
- In order to reduce fire hazard, the installation of this appliance must be carried out only by a suitably qualified person.

Levelling the unit :

Place the unit at the chosen location. Using a spirit level, check whether the unit is levelled in both directions.

The spirit level can be placed on one of the shelves.

It is essential that the unit is levelled during operation to avoid possible ice formation on the evaporator's fins due to insufficient drainage of the condensation.

Tilt unit by 2° angle for easy closing of the door and drain.

- Do not insert cream or spray bottles inside the cooler.
- Do not store explosive substances such as aerosol cans with flammable propellants in the cooler.

III、 Product Features

1. It uses a quality, effective, and hermetic compressor with broad range of starting voltage, suitable ambient temperature: not higher than 40°C, and reasonable matching of the cooler system that guarantees its powerful refrigerating ability and energy saving.
2. Goods stored can be displayed clearly through the door made of luxurious hollow glass.
3. The thermal insulation layer of the cooler made from hard polyurethane foamed plastics makes it light and has a good ability to keep the contents cold.

Details of Product



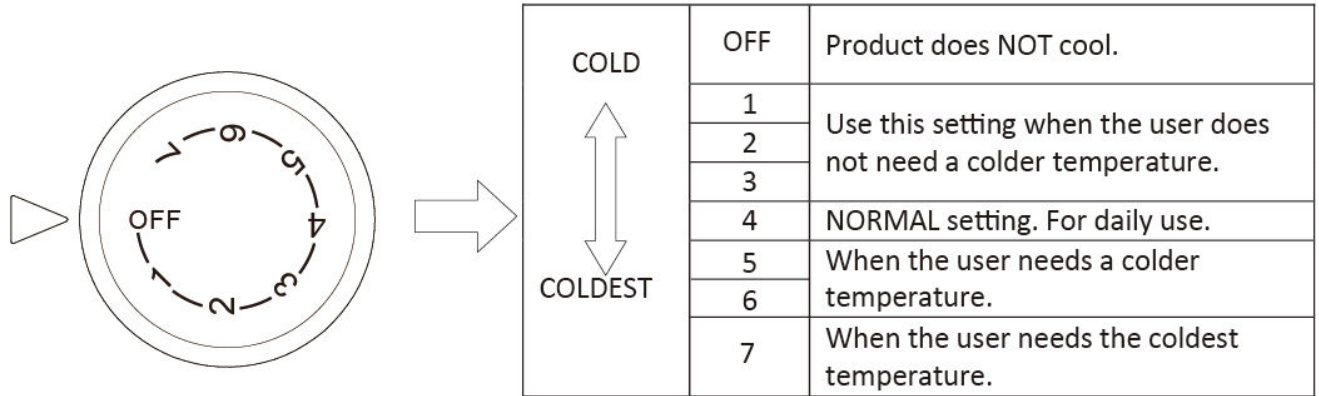
Note: Due to technological innovations, the descriptions of the product in this manual may not be completely consistent with your upright showcase. Details are in accordance with the material item.

Production Dimensions:

Model	PRNS6070DX	PRNS7170DX	PRNS8570DX
Dimension(W×D×H/inch)	21.1×21.1×50	21.1×21.1×56.5	21.1×21.1×65.7
Net Capacity (CU. FT)	6.0	7.1	8.5
Temperature (°F)	32~50	32~50	32~50
Control System	Mechanical	Mechanical	Mechanical
Lock & Light	Yes	Yes	Yes
Refrigerant	R600a	R600a	R600a
Climate Type	3,4,5	3,4,5	3,4,5
The Maximum Loading of Each Type Of Shelf (LB)	71.7	71.7	71.7

IV、 Operation of the Temperature control knob

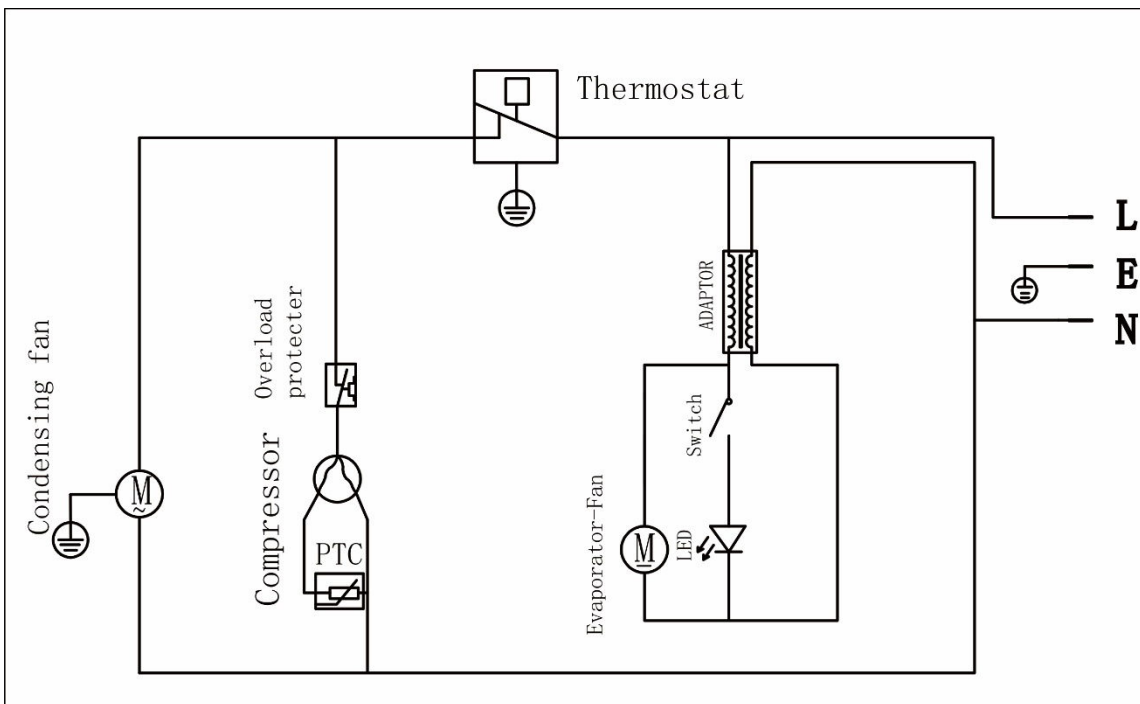
1. The temperature inside the cabinet can be controlled with the temperature control knob.
2. The knob should be kept upright normally to adjust the temperature.



Note: The cooler should not work more than 24 hours in coldest function 7, please turn the knob back to 4 in time.

V、 Electrical Connection

Electronic diagram



⚡WARNING⚡

1. Do not, under any circumstances, cut or remove the third (ground) prong from the power cord supplied.

This appliance is not designed to be used with an inverter.

The cord should be secured behind the appliance and not left exposed or dangling to prevent accidental injury.

2. Never unplug the cooler by pulling the power cord. Always grip the plug firmly and pull straight out from the receptacle.

3. Do not use an extension cord with this appliance. If the power cord is too short, have a qualified electrician or service technician install an outlet near the appliance. Use of an extension cord can negatively affect the performance of the unit.

4. Improper use of the grounded plug can result in the risk of electrical shock. If the power cord is damaged, have it replaced by an authorized service center.

VI、 Safety Warnings

- **Warning!** Do not damage the cooling fluid circuit.
- **Warning!** Do not damage the walls of the machine: the cooling fluid circuit may be damaged.
- **Warning!** Do not use electrical appliances inside the food storage compartments of the appliance, unless they are of the type recommended by the manufacturer.
- **Warning!** The equipment must not be used by persons (including children) whose physical, sensorial, or mental capacities are reduced, or who lack experience and know-how, unless they have been provided, by means of a person responsible for their safety, with suitable monitoring or instructions about the use of the equipment. Children must be monitored to ensure they do not play with the equipment.

VII、 Use warnings

1. Unpack all packages before using the cooler. Do not tilt it over more than 60°, while moving it.
2. On its initial operation, the cooler should run empty for about two hours before storing food in it.
3. The thermostat can adjust the temperature inside the cooler. When you turn the knob clockwise, the bigger the number, the lower the temperature. Generally, the positions '3-4' are suitable for regular operation. The '6' position has the appliance operating continually.
4. To save energy, the door should not be opened too frequently or left open for a long time.
5. The surface and the inside of the cooler should be dry and clean. Long term moisture will cause the cooler to slowly rust. (There will be some stains on the surface.)
6. Periodical cleaning is suggested. Generally, cleaning the appliance once every 30-45 days is the best. When cleaning, it is best to wipe the inside and the surface of the cooler with a soft cloth with neutral soap or detergent.

Caution: To ensure safety, the power plug must be pulled out before cleaning.

VIII、 Cleaning the unit

For cleaning the unit's internal plastic parts, use a light solution of soap and water. Do not apply hard chemical detergents on the plastics as they may lose their shine or even get deformed.

The same applies to the external metallic surfaces. The use of hard chemicals could harm the painting of the metallic surfaces, affecting the sanitary protection of the unit.

IX、 Troubleshooting

Please refer to the below troubleshooting lists to solve any minor problems that may occur during operations.

Trouble	Reason		Check	Solution	Remark	
Lamp not lighting	No voltage	Fuse breaking off	Check fuse	Change fuse	Ask a professional to service.	
		Poor connection between the plug and socket	The connection is loose or not	Repair or change socket		
	Have voltage	lamp has poor contact or is worn down	Check the circuit and lamp	Tighten the connection or change a new lamp	Ask a professional to service.	
		Lamp switch has poor contact	Check the switch	Tighten the connection or change a new switch		
Condenser fan Not running	Compressor works	Condenser fan broken down	Remove condenser fan	Change condenser fan		Ask a professional to service.
	Compressor does not work	Thermostat is not set to the work position	Check the position of the thermostat knob	Turn the thermostat knob to the operating position		
		Thermostat terminal is not connected properly	Check the thermostat terminal	Reconnect the terminal	Ask a professional to service.	
		The thermostat is worn down.	Check the thermostat	Change the thermostat		
Continuous operating	Temperature is too high inside of the cabinet	Opening the door too frequently	/	Open the door as little as possible	Ask a professional to service.	
		Too much storage	The circulation of cooling air has been affected	Take out part of the storage		
		Leakage of refrigerant.	/	Call at a qualified service center		
	Temperature is too low inside the cabinet.	Thermostat does not work properly	Check the thermostat	Change the thermostat	Ask a professional to service.	
Noise	Cooler isn't placed levelly		Check if the four wheels adjusted to the same level and touching the ground	Adjust the wheels	Ask a professional to service	
	Fixing screws of compressor or condenser are loose		Screws fixed tightly or not	Tighten the screws	Ask a professional to service.	
	Compressor or fan defective		Check the Compressor or fan	Ask help of professional to repair.	Ask help of professional to repair.	
Condenser fan is working, but the compressor does not operate	The plug of starter or heat relay is loose		Check the starter and heat relay	Install the starter or heat relay	Ask a professional to service.	
	Compressor defective		Check the resistance of compressor CSM terminal	Change new compressor	Ask a professional to service.	
	Voltage is lower than 97V or higher than 130V		Check the input Voltage	Use a voltage stabilizer		
Evaporator fan Not running	Fan switch defective		Check the resistance of switch	Change the switch	Ask a professional to service	
	Fan switch terminal is not connected properly		Check the circuit of the fan switch	Connect the switch terminal or change a new terminal		

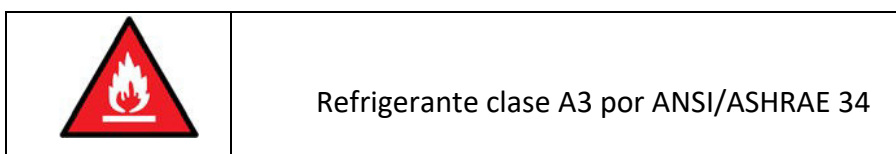
Notice: The following are not trouble but common phenomenon:

1. Sound, the refrigerant flows inside the cooler.
2. Compressor and condenser become hot.
3. If the ambient humidity is high, there may be dewdrops on the surface, please use a soft and dry cloth to clean in time.

Tabla de contenido

I 、 Instrucciones de seguridad importantes	16
II、 Transporte y Colocación	17
III、 Características del producto	18
IV、 Operación de la perilla de control de temperatura	20
V、 Conexión eléctrica	20
VI、 Precauciones de seguridad	21
VII、 Precauciones de uso	21
VIII、 Limpieza de la unidad	21
IX、 Problemas ordinarios y soluciones	21

- Siga las normas locales sobre la eliminación de aparatos que utilizan gas inflamable para desechar el aparato. Antes de desechar el aparato, retire las puertas para evitar que los niños no queden atrapados.
- ADVERTENCIA: Mantenga libres de obstrucciones todas las aberturas de ventilación en el gabinete del electrodoméstico o en la estructura para empotrar.
- ADVERTENCIA: No utilice dispositivos mecánicos u otros medios para acelerar el proceso de descongelación, distintos de los recomendados por el fabricante.
- ADVERTENCIA: No dañe el circuito refrigerante.
- ADVERTENCIA: No utilice aparatos eléctricos dentro de los compartimentos de almacenamiento de alimentos del aparato, a menos que sean del tipo recomendado por el fabricante.
- El esquema eléctrico y los parámetros se basarán en la etiqueta de clasificación del producto.
- El producto puede ser mejorado sin previo aviso.
- Si el cable de alimentación está dañado, debe reemplazarse por un cable disponible del fabricante o su agente de servicio.
- Acortar el tiempo de apertura de la puerta y reducir la frecuencia de apertura ayudan a mantener una temperatura fría dentro del refrigerador.
- Nunca bloquee la entrada y salida de aire. Así puede mantener la circulación de aire y la capacidad de refrigeración.
- No sobrecargue de alimentos ya que esto influirá en el efecto refrigerante.
- Ajuste la altura de las rejillas para un almacenamiento adecuado de los alimentos.
- Enfríe los alimentos calientes a temperatura ambiente antes de guardarlos en el refrigerador.
- Trate de reducir los tiempos de apertura y mantenga frío el interior del refrigerador en caso de que se corte la energía.
- Nunca toque el compresor para evitar quemaduras.
- Este aparato no está diseñado para que lo utilicen personas (incluidos niños) cuyas capacidades físicas, sensoriales o mentales puedan ser diferentes o reducidas, o que carezcan de experiencia o conocimiento, a menos que dichas personas reciban supervisión o capacitación para operar el aparato por parte de una persona responsable por su seguridad.
- Se debe supervisar a los niños para asegurarse de que no jueguen con el aparato.
- La limpieza y el mantenimiento del usuario no deben ser realizados por niños sin supervisión.
- No almacene sustancias explosivas como latas de aerosol con un propulsor inflamable en este aparato. Durante el funcionamiento normal, el nivel de ruido de emisión no supera los 68 dB(A).
- Dado que la clase climática es 4, se sugiere utilizar el aparato a una temperatura ambiente entre 16 °C - 32 °C.
- Cumpla con las regulaciones locales con respecto a la eliminación del aparato por su gas inflamable. Antes de desechar el aparato, retire las puertas para evitar que los niños queden atrapados.
- Advertencia: el aparato debe instalarse de acuerdo con las normas nacionales de cableado. El aparato debe instalarse de acuerdo con la Norma de seguridad para sistemas de refrigeración, ANSI/ASHRAE 15.



Advertencia: Riesgo de incendio/materiales inflamables, tenga cuidado de evitar provocar un incendio al encender material inflamable.

- **Aviso:** Cualquier persona que participe en trabajos o tenga acceso a un circuito de refrigerante debe tener un certificado válido y vigente de una autoridad de evaluación acreditada por la industria, que autorice su competencia para manipular refrigerantes de manera segura de acuerdo con una especificación de evaluación reconocida por la industria.
- **Aviso:** El servicio solo se realizará según lo recomendado por el fabricante del equipo. El mantenimiento y las reparaciones que requieran la asistencia de otro personal calificado se realizarán bajo la supervisión de la persona competente en el uso de refrigerantes inflamables.
- **Aviso:** Los componentes se reemplazarán con componentes similares para minimizar el riesgo de una posible ignición debido a piezas incorrectas.
- El aparato debe instalarse de acuerdo con las normas de seguridad.
- **ADVERTENCIA:** El aparato debe almacenarse en una habitación sin fuentes de ignición que funcionen continuamente (por ejemplo: llamas abiertas, un aparato de gas en funcionamiento o un calentador eléctrico en funcionamiento).
- No perforar ni quemar.
- Tenga en cuenta que es posible que los refrigerantes no contengan olor.
- **Advertencia:** El aparato debe instalarse en un área bien ventilada donde el tamaño de la habitación corresponda al área de la habitación especificada para su funcionamiento.
- **Advertencia:** El aparato debe instalarse en una habitación sin llamas abiertas en funcionamiento continuo (por ejemplo, un aparato de gas en funcionamiento) ni fuentes de ignición (por ejemplo, un calentador eléctrico en funcionamiento).
- **Advertencia:** El aparato debe instalarse de manera que se eviten daños mecánicos.
- Compruebe que el cableado no esté sujeto a desgaste, corrosión, presión excesiva, vibración, bordes afilados o cualquier otro efecto ambiental adverso. La verificación también deberá tener en cuenta los efectos del envejecimiento o la vibración continua de fuentes como compresores o ventiladores.
- Si el cable de alimentación está dañado, debe ser reemplazado por el fabricante o su agente de servicio o una persona igualmente calificada para evitar riesgos.
- Antes de realizar el procedimiento de desmantelamiento, es imprescindible que el técnico esté completamente familiarizado con el equipo y todos sus detalles. Se recomienda una buena práctica para recuperar todos los refrigerantes de forma segura. Antes de realizar la tarea, se tomará una muestra de aceite y refrigerante en caso de que sea necesario un análisis antes de la reutilización del refrigerante recuperado. Es esencial que haya energía eléctrica disponible antes de comenzar la tarea.
- Al retirar refrigerante de un sistema, ya sea para realizar tareas de mantenimiento o desmantelamiento, se recomienda como buena práctica retirar todos los refrigerantes de forma segura.
- El equipo de recuperación deberá estar en buen estado de funcionamiento con un conjunto de instrucciones sobre el equipo que está disponible y deberá ser adecuado para la recuperación de todos los refrigerantes apropiados, incluidos, cuando corresponda, de REFRIGERANTES INFLAMABLES.
- El refrigerante recuperado se devolverá al proveedor de refrigerante en el cilindro de recuperación correcto y se preparará la nota de transferencia de residuos correspondiente. No mezcle refrigerantes en unidades de recuperación y especialmente en cilindros.
- El aparato no deberá instalarse en pasillos o vestíbulos públicos.
- Este equipo está diseñado para el almacenamiento y exhibición de productos sin control de tiempo/temperatura para alimentos seguros, embotellados o enlatados únicamente.

Estimado cliente:

Estimados usuarios (clientes), este manual contiene los conocimientos básicos del producto, las instrucciones de uso, el diagnóstico de fallas y los métodos básicos de resolución de problemas. Para comprender y utilizar mejor este producto, tenga mucho cuidado con este manual y léalo detenidamente.

Este equipo está diseñado para el almacenamiento y exhibición de productos sin control de tiempo/temperatura para alimentos seguros, embotellados o enlatados únicamente.

I 、 Instrucciones de seguridad importantes

1. El rango de voltaje de operación: 97V~130V. Para evitar dañar el rendimiento eléctrico del compresor, instale un dispositivo estabilizador de voltaje de potencia no inferior a 500 W, para proteger el enfriador cuando el voltaje es inferior a 97 V o superior a 130 V.
2. Se debe utilizar un enchufe monofásico individual. Este aparato debe estar conectado de manera confiable a un cable con conexión a tierra. Precaución: No se permite que el cable de conexión a tierra se conecte a una tubería de agua o gas.
3. Se prohíbe el almacenamiento en el refrigerador de bases o ácidos fuertes, solventes orgánicos y productos corrosivos o aquellos que son fáciles de contaminar para los alimentos; de lo contrario, pueden causar corrosión o accidentes.
4. No levante el refrigerador o la carcasa de las partes eléctricas, o causará la disminución del aislamiento y causará corrosión.
5. Cuando no vaya a utilizar el refrigerador durante mucho tiempo, desconéctelo y límpielo. Examine el circuito para ver si está bien antes de volver a usarlo.
6. Si el cable de alimentación está dañado, debe reemplazarse por un cable o ensamblaje especial disponible del fabricante o su agente de servicio.
7. El aparato debe estar desconectado de su fuente de alimentación durante la limpieza o el mantenimiento y cuando se reemplazan piezas.
8. El nivel de emisión sonora con ponderación A es inferior a 60 dB(A).
9. No almacene sustancias explosivas como latas de aerosol con un propulsor inflamable dentro del aparato.
10. El gas inflamable que sopla en el refrigerador debe manipularse de acuerdo con las normas locales. Antes de desechar el aparato, retire las puertas para evitar que los niños queden atrapados.

 Precaución:

1. Riesgo de incendio / materiales inflamables, tenga cuidado de no provocar un incendio por la ignición del material inflamable.
2. Mantenga libres de obstrucciones todas las aberturas de ventilación en el recinto del aparato o en la estructura para empotrar.
3. No utilice dispositivos mecánicos u otros medios para acelerar el proceso de descongelación, distintos de los recomendados por el fabricante.
4. No dañe el circuito refrigerante.
5. No utilice aparatos eléctricos dentro de los compartimentos de almacenamiento de alimentos del aparato, a menos que sean del tipo recomendado por el fabricante.
6. La temperatura ambiente y las condiciones de humedad de la clase climática más fría siguiendo la tabla a continuación:

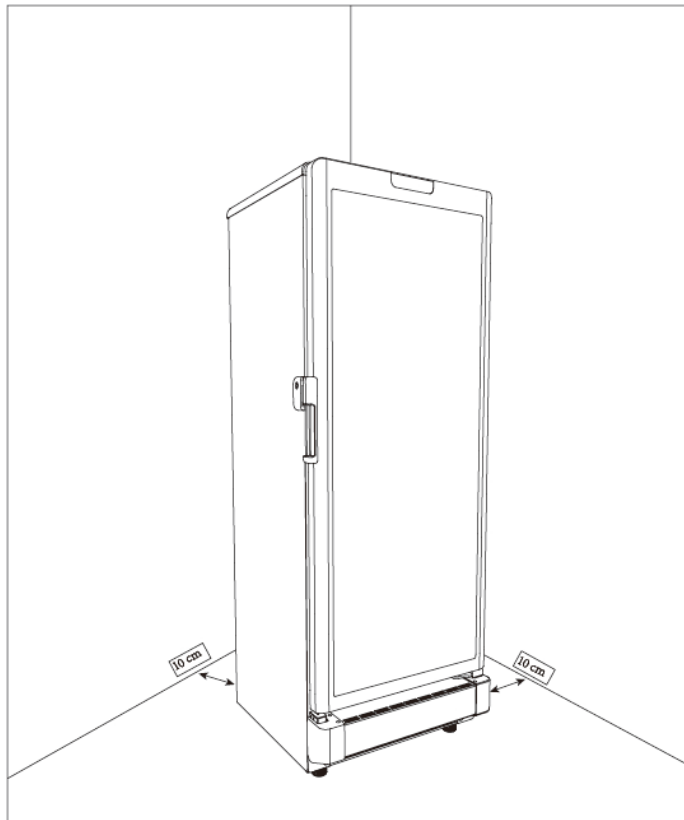
Clase climática de la sala de pruebas	Temperatura de bulbo seco (° C)	Humedad relativa (%)	Punto de Rocío (°C)	Masa de vapor de agua en aire seco (g/kg)
3	25	60	16.7	12.0
4	30	55	20.0	14.8
5	40	40	23.9	18.8

Nota: La masa de vapor de agua en aire seco es uno de los principales aspectos que influyen en el rendimiento y el consumo de energía de los refrigeradores. Por lo tanto, la clase de orden climático en la tabla se basa en la columna de masa de vapor de agua.

II、 Transporte y Colocación

Transporte:

1. Retire el embalaje y limpie todo el gabinete con un paño suave empapado en una solución de agua tibia con un 5% de jabón neutro, luego séquelo con un paño suave; para las partes de vidrio utilice únicamente productos específicos, evitando el uso de agua que puede dejar en el vidrio residuos de caliza.
2. Mantenga una distancia de la pared de al menos 10 cm. Nivele la unidad colocando y ajustando las patas ajustables.
3. El gabinete debe instalarse en una superficie perfectamente plana, lejos de cualquier fuente de calor, incluidos los rayos solares.
4. No instale la unidad en lugares abiertos y no la exponga a la lluvia.



Nota: diagrama esquemático para la necesidad de espacio del producto

Selección de la ubicación de instalación:

La unidad es solo para uso en interiores.

Debido al hecho de que la unidad tiene una puerta de vidrio, su rendimiento está muy influenciado por las condiciones ambientales. Para minimizar los efectos ambientales en el rendimiento de la unidad, se recomienda lo siguiente:

- La unidad no debe colocarse cerca de ningún tipo de fuente de calor.
- La unidad no debe colocarse cerca o dentro de corrientes de aire producidas por ventiladores, puertas y/o ventanas abiertas.
- La unidad no debe colocarse debajo de un sistema de ventilación montado en el techo.
- La unidad debe tener suficiente espacio para "respirar" (siempre use el espacio trasero para garantizar un espacio libre mínimo).
- La unidad no debe colocarse bajo la luz solar directa.
- Mantenga todas las aberturas de ventilación en el recinto del aparato o en la estructura libres de obstrucciones.
- Para reducir el riesgo de incendio, la instalación de este aparato debe ser realizada únicamente por una persona debidamente calificada.

Nivelación de la unidad:

Coloque la unidad en la ubicación elegida. Con un nivel de burbuja, compruebe si la unidad está nivelada en ambas direcciones.

El nivel de burbuja se puede colocar en uno de los estantes.

Es fundamental que la unidad esté nivelada durante el funcionamiento para evitar la posible formación de hielo en las aletas del evaporador debido a un drenaje insuficiente de los condensados.

Incline la unidad en un ángulo de 2° para cerrar fácilmente la puerta y el desagüe.

- No inserte botellas de crema batida o aerosoles dentro del refrigerador.
- No almacene sustancias explosivas como latas de aerosol con propelente inflamable en el refrigerador.

III、 Características del producto

1. Utiliza un compresor hermético, efectivo y de calidad con un amplio rango de voltaje de arranque, temperatura ambiente adecuada: no superior a 40 °C, la combinación razonable del sistema de enfriamiento garantiza su poderosa capacidad de refrigeración y ahorro de energía.

2. Los productos almacenados se pueden mostrar claramente a través de la puerta hecha de lujoso vidrio hueco.

3. La capa de aislamiento térmico del refrigerador está hecha de plástico duro de espuma de poliuretano que hace que sea liviana y tenga una buena capacidad para mantener el contenido frío.

Detalles del producto



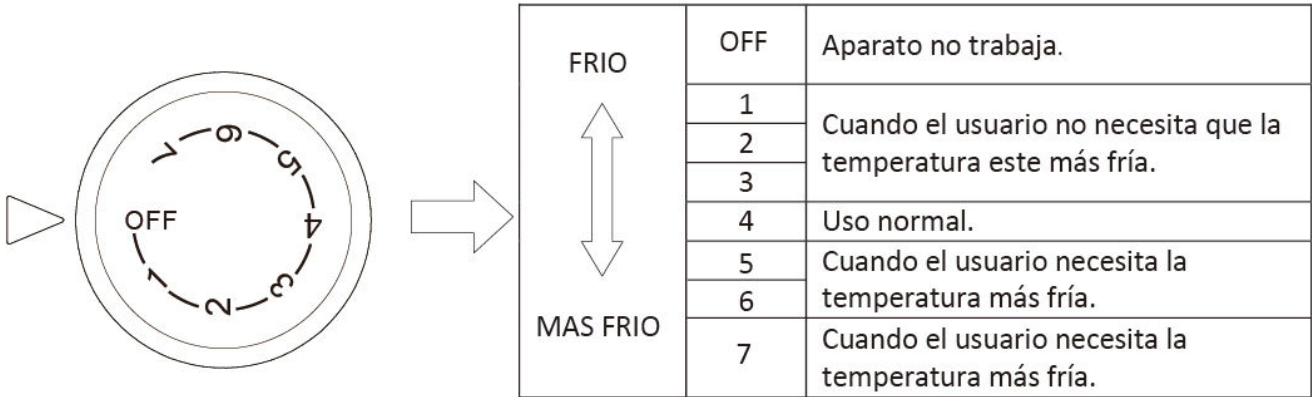
Nota : Debido a la innovación tecnológica, las descripciones del producto en este manual pueden no ser completamente consistentes con su vitrina vertical. Los detalles están de acuerdo con el artículo material.

Dimensiones del producto:

MODELO	PRNS6070DX	PRNS7170DX	PRNS8570DX
DIMENSION (WxDxH/mm)	535×530×1270	535×530×1435	535×530×1670
CAPACIDAD NETA (L)	170	200	240
TEMPERATURA (°C)	0~10	0~10	0~10
SISTEMA DE CONTROL	Mecánico	Mecánico	Mecánico
BLOQUEO Y LUZ	Si	Si	Si
REFRIGERANTE	R600a	R600a	R600a
TIPO CLIMATICO	3,4,5	3,4,5	3,4,5
LA CARGA MÁXIMA DE CADA TIPO DE ESTANTE (KG)	32.5	32.5	32.5

IV、 Operación de la perilla de control de temperatura

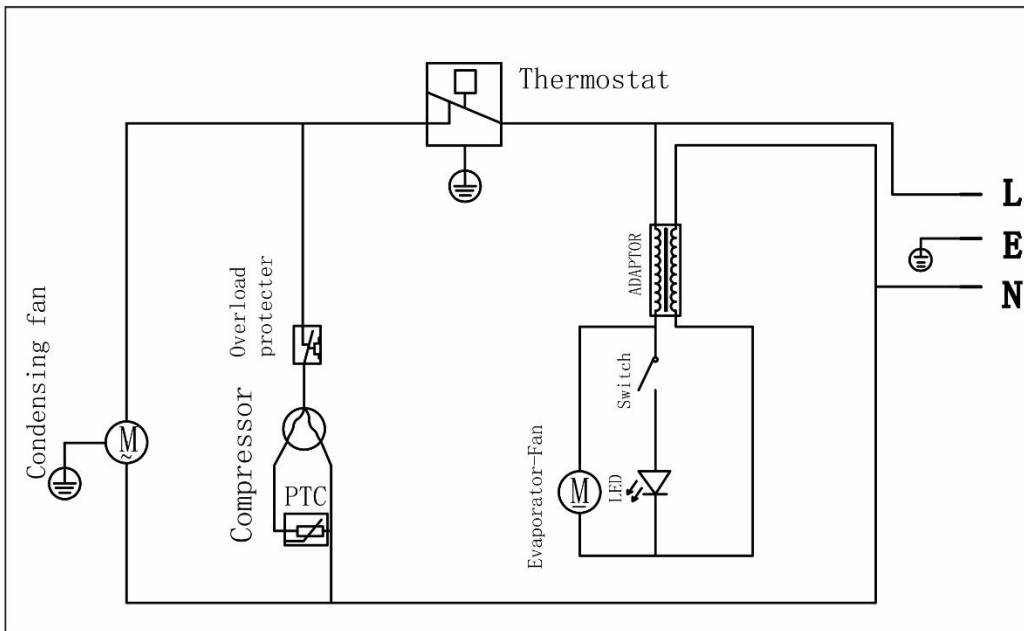
1. La temperatura dentro del gabinete se puede controlar con la perilla de control de temperatura.
2. La perilla debe mantenerse en posición vertical normalmente para ajustar la temperatura.



Nota: El enfriador no debe funcionar más de 24 horas en la función más fría 7, vuelva a girar la perilla a 4 a tiempo

V、 Conexión eléctrica

Diagrama electrónico



ADVERTENCIA

1. En ninguna circunstancia, corte o retire la tercera clavija de conexión a tierra del cable de alimentación suministrado.

Este aparato no está diseñado para ser utilizado con un inversor.

El cable debe asegurarse detrás del aparato y no dejarse expuesto o colgando para evitar lesiones accidentales.

2. Nunca desenchufe el refrigerador tirando del cable de alimentación. Sujete siempre el enchufe con firmeza y sáquelo del receptáculo.

3. No use un cable de extensión con este aparato. Si el cable de alimentación es demasiado corto, solicite a un electricista calificado o a un técnico de servicio que instale un tomacorriente cerca del

electrodoméstico. El uso de un cable de extensión puede afectar negativamente el rendimiento de la unidad.

4. El uso inadecuado del enchufe con conexión a tierra puede resultar en riesgo de descarga eléctrica. Si el cable de alimentación está dañado, haga que lo reemplace un centro de servicio autorizado.

VI、 Precauciones de seguridad

- **¡Advertencia!** No dañe el circuito del líquido refrigerante.
- **¡Advertencia!** No dañe las paredes de la máquina: el circuito de líquido refrigerante puede dañarse.
- **¡Advertencia!** No utilice aparatos eléctricos dentro de los compartimentos de almacenamiento de alimentos del aparato, a menos que sean del tipo recomendado por el fabricante.
- **¡Advertencia!** El equipo no debe ser utilizado por personas (incluidos los niños) cuyas capacidades físicas, sensoriales o mentales estén reducidas, o que carezcan de experiencia y conocimientos, a menos que hayan sido provistos, por medio de una persona responsable de su seguridad, con seguimiento adecuado o instrucciones sobre el uso del equipo. Los niños deben ser monitoreados para asegurarse de que no jueguen con el equipo.

VII、 Precauciones de uso

1. Desembale todos los paquetes antes de usar el refrigerador. No lo incline más de 60° mientras lo mueve.
2. Cuando se pone en funcionamiento por primera vez, el refrigerador debe funcionar en vacío unas dos horas antes de almacenar alimentos en él.
3. El termostato podría ajustar la temperatura dentro del refrigerador. Cuando gira la perilla en el sentido de las agujas del reloj, cuanto mayor sea la cifra, menor será la temperatura. Generalmente, la posición de '3-4' es adecuada. La posición '6' funcionará continuamente.
4. Para ahorrar energía, la puerta no debe abrirse con frecuencia ni dejarse abierta durante mucho tiempo.
5. La superficie y el interior del refrigerador deben estar secos y limpios. La humedad a largo plazo hará que el refrigerador se oxide lentamente. (Habrá algunas manchas en la superficie).
6. Se sugiere una limpieza periódica para su referencia. Generalmente, una vez cada 30-45 días es lo mejor. A la hora de limpiar, lo mejor es limpiar el interior y la superficie del refrigerador con un paño suave con jabón o detergente neutro.

Precaución: Para garantizar la seguridad, el enchufe debe desconectarse antes de limpiar.

VIII、 Limpieza de la unidad

Para limpiar las piezas plásticas internas de la unidad, use una solución ligera de agua y jabón. No utilice

detergentes químicos fuertes sobre los plásticos ya que pueden perder su brillo o incluso deformarse.

Lo mismo se aplica a las superficies metálicas externas. El uso de químicos fuertes podría dañar la pintura de las superficies metálicas, afectando la protección sanitaria de la unidad.

IX、 Problemas ordinarios y soluciones

Consulte las siguientes listas de solución de problemas para solucionar cualquier problema menor que ocurra durante las operaciones.

Problema	Razón		Verifique	Solución	Observación	
La lámpara no ilumina	Sin voltaje	Fusible roto	Comprobar fusible	Cambiar fusible	Pida ayuda de un profesional para reparar.	
		Mala conexión entre el enchufe y el enchufe de pared	Hay conexión o no	Repare o cambie enchufe		
	Con voltaje	La lámpara tiene mal contacto o está desgastada	Compruebe el circuito y la lámpara.	Apriete la conexión o cambie una nueva lámpara	Pida ayuda de un profesional para reparar.	
		El interruptor de la lámpara tiene mal contacto	Revise el interruptor	Apriete la conexión o cambie un nuevo interruptor		
Ventilador del condensador averiado	El compresor funciona	El ventilador del condensador se ha dañado	Retire el ventilador del condensador	Cambie el ventilador del condensador		Pida ayuda de un profesional para reparar.
	El compresor no funciona	El termostato no está ajustado en la posición de trabajo	Compruebe la posición de la perilla del termostato	Gire la perilla del termostato a la posición de funcionamiento		
		El terminal del termostato no está conectado correctamente	Verifique el terminal del termostato	Vuelva a conectar la terminal		
		El termostato está desgastado.	Revise el termostato	Cambie el termostato		
Operación continua	La temperatura es demasiado alta dentro del gabinete	Se abre la puerta con demasiada frecuencia.	/	Abra la puerta lo menos posible.	Pida ayuda de un profesional para reparar.	
		Demasiado almacenamiento	La circulación del aire de refrigeración se ha visto afectada.	Retire parte del almacenamiento.	Pida ayuda de un profesional para reparar.	
		Fuga de refrigerante.	/	Reparación en un centro de servicio calificado		
	La temperatura es demasiado baja dentro del gabinete.	El termostato no funciona correctamente	Revise el termostato	Reemplace el termostato		
Ruido	El refrigerador no está colocado nivelado		Compruebe si las cuatro ruedas están ajustadas al mismo nivel y tocando el suelo	Ajuste las ruedas		Pida ayuda de un profesional para reparar.
	Los tornillos de fijación del compresor o del condensador están sueltos.		¿Tornillos están fijados firmemente o no?	Apretar los tornillos		
	Compresor o ventilador defectuoso		Revise el compresor o el ventilador	Pida ayuda de un profesional para reparar		
El ventilador del condensador funciona, pero el compresor no	El arranque y el relé de calor están flojos		Revise el arranque y el relé de calor	Instale el motor de arranque o el relé de calor	Pida ayuda de un profesional para reparar.	

funciona	Compresor defectuoso	Compruebe la resistencia del terminal CSM del compresor	Instale un compresor nuevo	Pida ayuda de un profesional para reparar.
	El voltaje es inferior a 97 V o superior a 130 V	Compruebe el voltaje de entrada	Use un estabilizador de voltaje	Pida ayuda de un profesional para reparar.
	Interruptor del ventilador defectuoso	Compruebe la resistencia del interruptor	Cambie el interruptor	Pida ayuda de un profesional para reparar.
	El terminal del interruptor del ventilador no está conectado correctamente	Compruebe el circuito del interruptor del ventilador	Conecte el terminal del interruptor o cambie un nuevo terminal	Pida ayuda de un profesional para reparar.

Aviso: Los siguientes no son problemas sino un fenómeno común:

1. Sonido, el refrigerante fluye dentro del refrigerador.
2. El compresor y el condensador se calientan.
3. Si la humedad ambiental es alta, puede haber gotas de rocío en la superficie, use un paño suave y seco para limpiar a tiempo.

www.premiumlevella.com